

# Panel Temperature Transducer



AVAILABLE FROM  
NEPEAN ELECTRONICS

NEPEAN Power is a proven leader in the supply and manufacture of quality engineered solutions, products and technologies. Established in 1994, through the commitment of our dedicated team we have become a supplier of choice.

The NEPEAN Power Panel Temp Transducer prevents malfunction of control equipment by monitoring the temperature inside an electrical panel. Effective in a wide range of applications; notably within outdoor electrical panels, where air conditioned or forced cooling enclosures are prone to error.

The transducer is cost-effective and compact using standard DIN35 for mounting. It has high precision stable performance for use in a broad range of applications including mining, petroleum, chemical, power, instrumentation and industrial control.

## Features

- Loop powered analogue temperature sensing. -25°C to 105°C
- Conveniently small, rail mount package
- Simple, cost-effective design.
- Utilising AD592A solid state temperature sensor
- Accuracy =  $\pm 1.5^\circ\text{C}$
- Load Range = 100 to 250 ohms
- Loop Supply Range = 12 to 30 VDC
- Dimensions: 79.0 x 69.5 x 25.0mm

## Specifications

	X0440
Temperature Range	-24°C ~ 105°C
Signal Output	4 ~ 20mA
Aux. Voltage	12 ~ 30VDC
Accuracy	0.2% relative to temperature
Power Usage	<1W
Load Capacity	100 ~ 250 ohms
Operating Temperature	-40°C ~ 85°C
Operating Humidity	10% ~ 90% (no condensation)

## Ordering Information

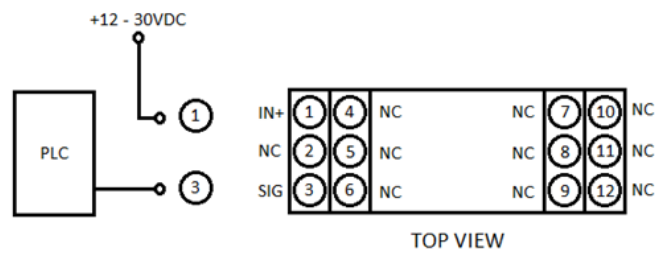
Part Number	Description
X0440	Panel Temperature Sensor

# Panel Temperature Transducer

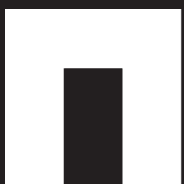
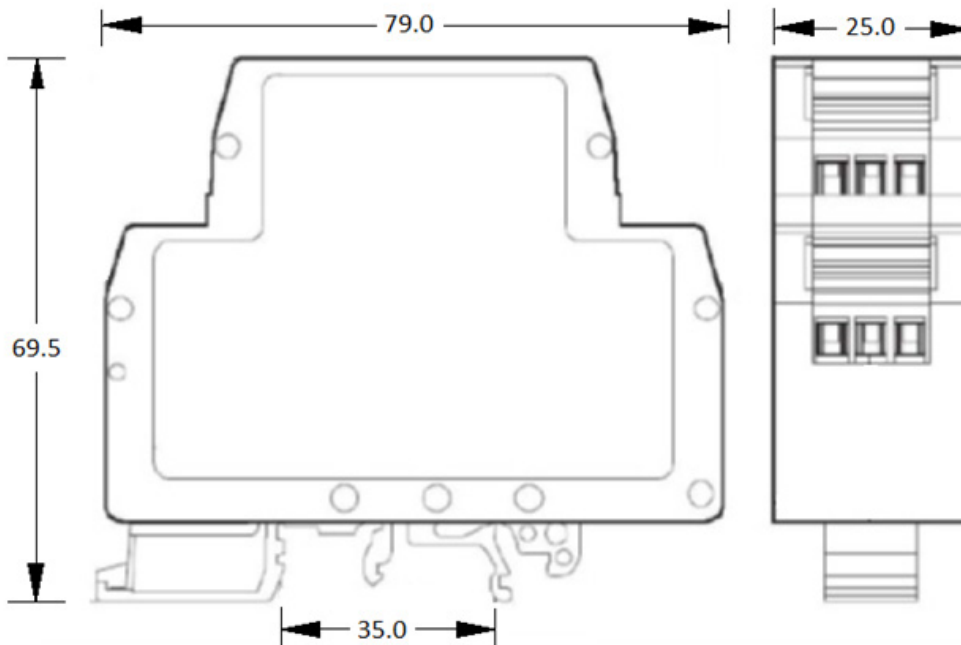
## Connection Diagram

Pin	Function		Pin	Function	
1	IN+	Power Supply +	7	NC	No PIN
2	NC	No PIN	8	NC	No PIN
3	SIG	Output Signal +	9	NC	No PIN
4	NC	No PIN	10	NC	No PIN
5	NC	No PIN	11	NC	No PIN
6	NC	No PIN	12	NC	No PIN

## Wiring Diagram



## Dimensions



**NEPEAN**  
Power

www.nepeanpower.com

For more information please contact:

P: +61 2 4088 2790

E: power@nepean.com