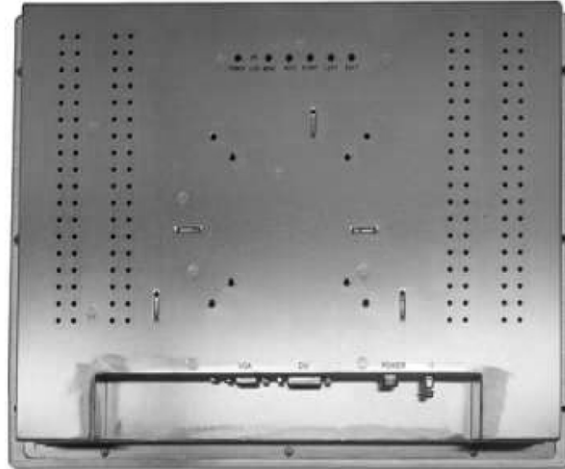
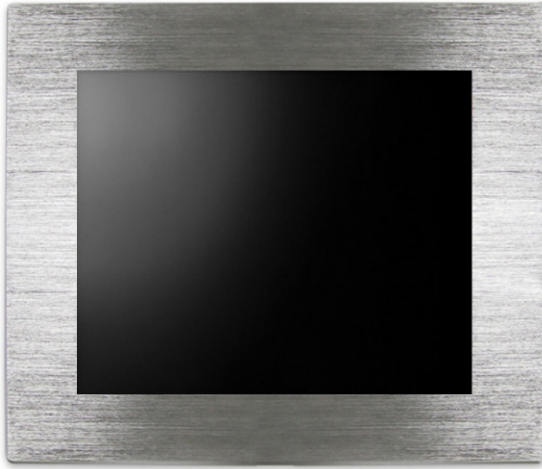


Industrial LCD Monitor



AVAILABLE FROM
NEPEAN ELECTRONICS

NEPEAN Power is a proven leader in the supply and manufacture of quality engineered solutions, products and technologies. Established in 1994, through the commitment of our dedicated team we have become a supplier of choice.

The NEPEAN Power Industrial LCD Monitors are built to stand the test for a variety of industrial applications. Available in 12.1", 17", 19" and high resolution available in 15.6" and 19.5"; these monitors are equipped with an aluminium body or stainless steel front frame.

With a -20°C to 80°C operating temperature, it can satisfy demands in a wide range of hard industrial applications. These models feature advanced embedded mounting to enhance their reliability.

Features

- Available in 12.1", 15.6", 17", 19" and 19.5" LCD screens
- Robust stainless steel front panel (aluminium option)
- Front panel is IP65 compliant
- Supports -20°C to 80°C operation and storage temperatures
- 4:3, 16:9 LCD Screen
- Display colour: 16.7M
- Resolution: 800x600, 1280x1024 and 1920x1080
- Supports VGA and DVI input
- OSD Controls: Auto adjust, brightness, contrast, horizontal/vertical position, colour, language
- Power consumption: ≤15W / ≤25W / ≤45W
- Embedded mount, with the ability to mount VESA 75mm/100mm
- 3.8 - 10ms response time
- Plug and Play: DDC 1/2B
- OS Support: Windows XP, 2000, Vista, 7, 8/8.1, 10, XP/7/8/10
- Certificate approval: CE, RoHS, CCC, FCC, ISO9001
- Warranty: 1 year



12.1", 15.6", 17", 19" and 19.5" models.

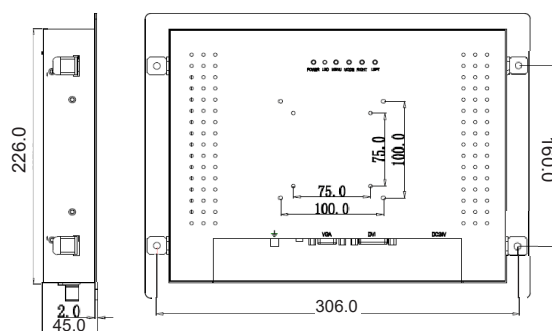
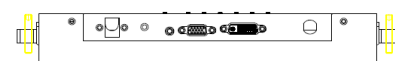
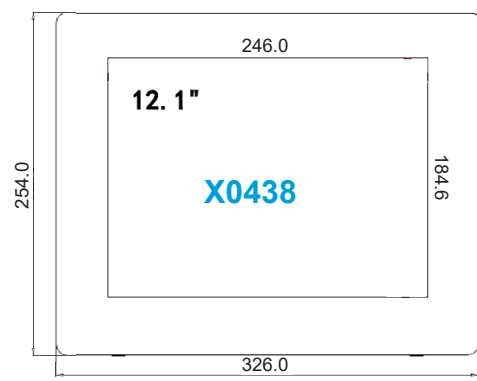
Ordering Information

Part Number	Description
X0438	12.1" Industrial LCD Monitor (Non Touch): Stainless Steel
X0436	17" Industrial LCD Monitor (Non Touch): Stainless Steel
X0444	19" Industrial LCD Monitor (Non Touch): Stainless Steel

Industrial LCD Monitor

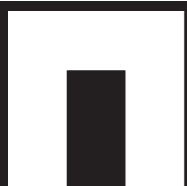
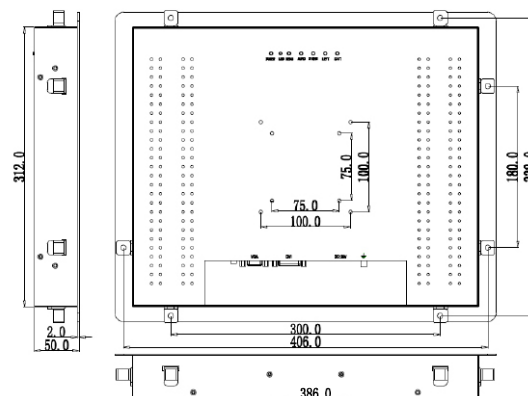
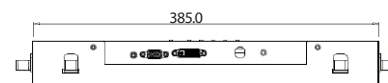
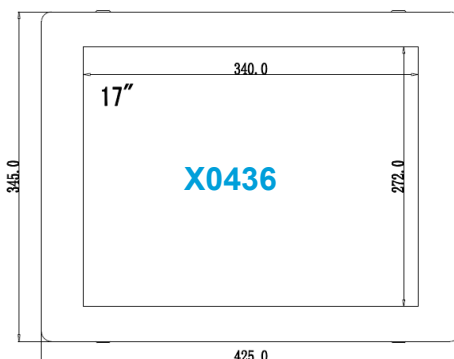
12.1" Industrial LCD Monitor

X0438 - 12.1" Industrial LCD Monitor	
Screen Size	12.1"
Active Display Area (mm)	246mm(W)×184.6mm(H)
Display Mode	4:3
LCD Type	TFT-LCD
Resolution	800× 600
Display Colour	16.7M
Pixel Pitch (mm)	0.3705(H)×0.3705(V)
Brightness (nits)	330cd/m ²
Contrast Ratio	450:1
Viewing Angle	140(H) /110(V)
Response Time	10ms
Backlight	2 CCFL
Interface	VGA, DVI
Optional Interface	HDMI, BNC
Power	12-24VDC/110VAC
Power Consumption	≤ 15W
Plug & Play	DDC 1/2B
OSD Control	Auto adjust, Brightness, Contrast, Hori. / Vert. Position, Clock, Phase, Color, Language
Menu	English/Chinese (other languages supported)
Mounting	Embedded Mount
Optional Mounting	VESA 75mm/100mm
Touch Screen Type	Resistive (5-wire)
Optional Touch Screen Type	Resistive touch (4-wire), SAW, IR, Capacitive
Touch Screen Interface	USB(B)
Certificate Approval	CE, RoHS, CCC, FCC, ISO9000(optional UL)
Warranty	1 year



17" Industrial LCD Monitor (Stainless Steel)

X0436 - 17" Industrial LCD Monitor	
Screen Size	17"
Active Display Area (mm)	340mm(W)×272mm(H)
Display Mode	4:3
LCD Type	TFT-LCD
Resolution	1280×1024
Display Colour	16.7M
Pixel Pitch (mm)	0.264(H)× 0.264(V)
Brightness (nits)	250cd/m ²
Contrast Ratio	1000:1
Viewing Angle	170(H) /150(V)
Response Time	3.8ms
Backlight	LED backlight
Interface	VGA,DVI
Optional Interface	HDMI, BNC
Power	12-24VDC/110VAC
Power Consumption	≤ 15W
Plug & Play	DDC 1/2B
OSD Control	Auto adjust, Brightness, Contrast, Hori. / Vert. Position, Clock, Phase, Color, Language
Menu	English/Chinese (other languages supported)
Mounting	Embedded Mount
Optional Mounting	VESA 75mm/100mm
Touch Screen Type	Resistive (5-wire)
Optional Touch Screen Type	Resistive touch (4-wire), SAW, IR, Capacitive
Touch Screen Interface	USB(B)
Certificate Approval	CE, RoHS, CCC, FCC, ISO9000(optional UL)
Warranty	1 year



NEPEAN
Power

www.nepeanpower.com

For more information please contact:

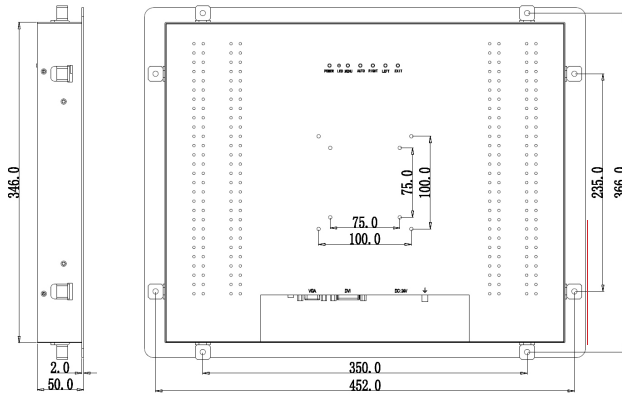
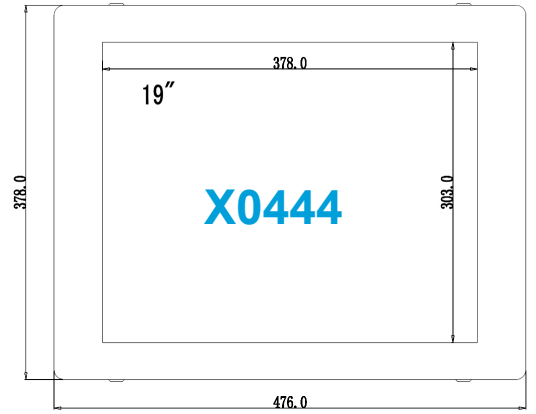
P: +61 2 4088 2790

E: power@nepean.com

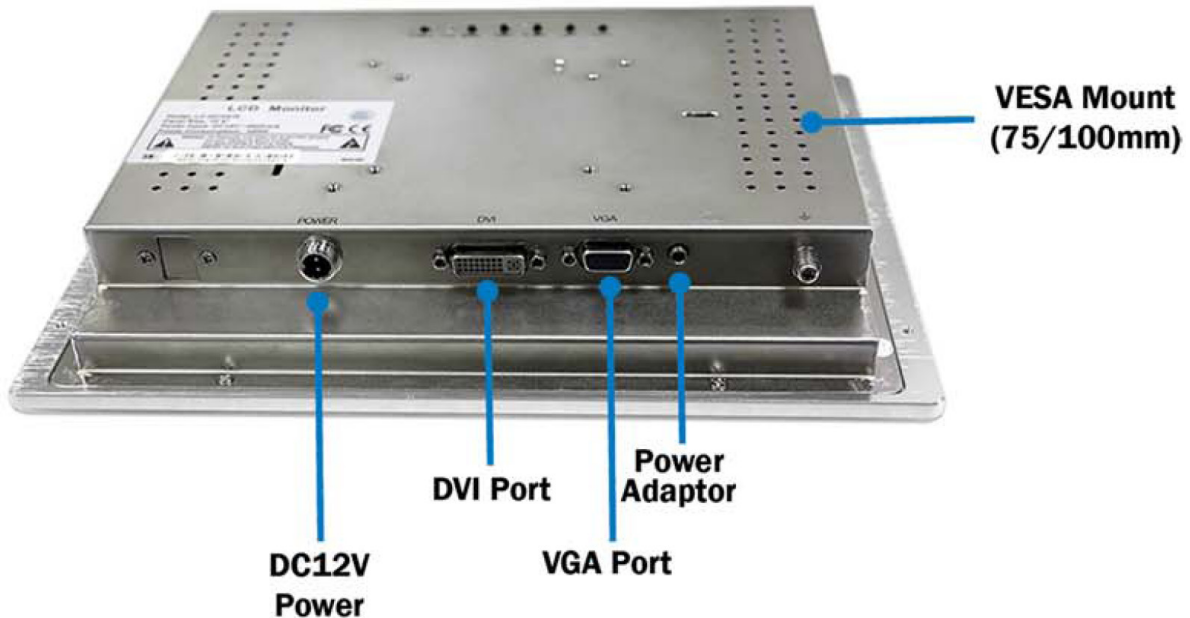
Industrial LCD Monitor

19" Industrial LCD Monitor (Stainless Steel)

X0444 - 19" Industrial LCD Monitor	
Screen Size	19"
Active Display Area (mm)	378mm(W)x303mm(H)
Display Mode	4:3
LCD Type	TFT-LCD
Resolution	1280x1024
Display Colour	16.7M
Pixel Pitch (mm)	0.294(H)x0.294(V)
Brightness (nits)	250cd/m ²
Contrast Ratio	1000:1
Viewing Angle	170(H)/170(V)
Response Time	5ms
Backlight	LED backlight
Interface	VGA, DVI
Optional Interface	HDMI, BNC
Power	12-24VDC/110VAC
Power Consumption	≤45W
Plug & Play	DDC 1/2B
OSD Control	Auto adjust, Brightness, Contrast, Hori. / Vert. Position, Clock, Phase, Color, Language
Menu	English/Chinese (other languages supported)
Mounting	Embedded Mount
Optional Mounting	VESA 75mm/100mm
Touch Screen Type	Resistive (5-wire)
Optional Touch Screen Type	SAW, IR, Capacitive
Touch Screen Interface	USB(B)
Certificate Approval	CE, RoHS, CCC, FCC, ISO9000(optional UL)
Warranty	1 year



Mounting and Ports

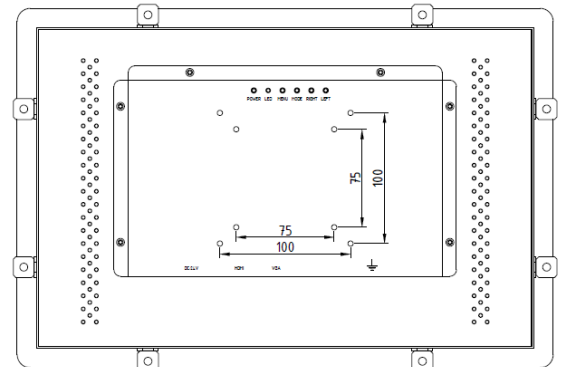
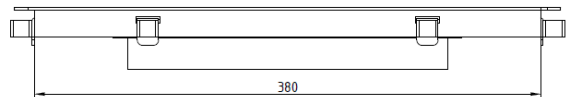
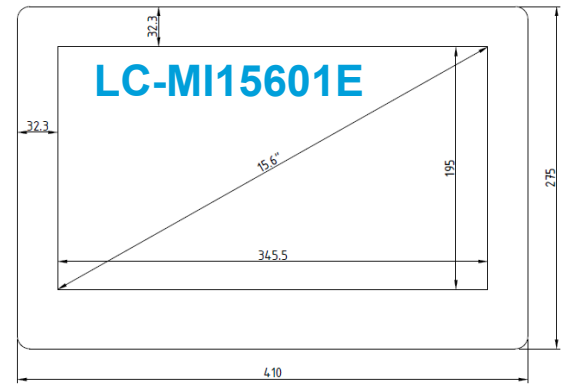


High Resolution Industrial LCD Monitor

15.6" Industrial LCD Monitor (Stainless Steel)

LC-MI15601E - 15.6" Industrial LCD Monitor

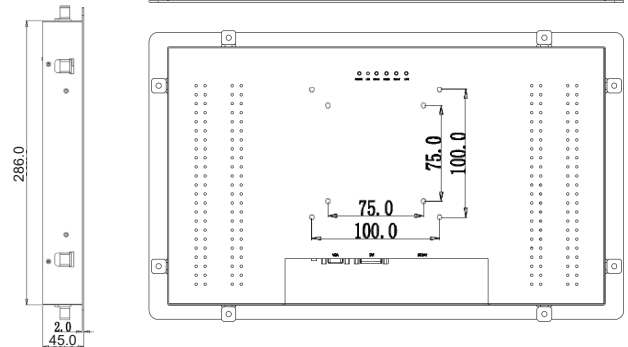
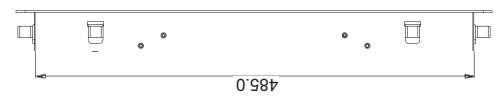
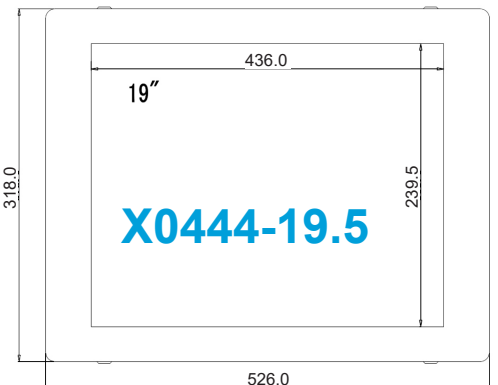
Screen Size	15.6"
Active Display Area (mm)	195(W)x345.5mm(H)
Display Mode	16:9
LCD Type	TFT-LCD
Resolution	1920 x 1080
Display Colour	16.2M
Pixel Pitch (mm)	0.17925(H)x0.17925(V)
Brightness (nits)	450cd/m ²
Contrast Ratio	800:1
Viewing Angle	170(H)/170(V)
Response Time	12ms
Backlight	LED backlight
Interface	VGA,HDMI
Optional Interface	DVI, BNC
Power	12-24VDC/ 110VAC
Power Consumption	≤20W
Plug & Play	DDC 1/2B
OSD Control	Auto adjust, Brightness, Contrast, Hori. / Vert. Position, Clock, Phase, Color, Language
Menu	English/Chinese (other languages supported)
Mounting	Embedded Mount
Optional Mounting	VESA 75mm/100mm
Certificate Approval	CE, RoHS, CCC, FCC, ISO9000(optional UL)
Warranty	1 year



19.5" Industrial LCD Monitor (Stainless Steel)

X0444 - 19.5" Industrial LCD Monitor

Screen Size	19.5"
Active Display Area (mm)	436mm(W)x239.5mm(H)
Display Mode	16:9
LCD Type	TFT-LCD
Resolution	1920 x 1080
Display Colour	16.7M
Pixel Pitch (mm)	0.294(H)x0.294(V)
Brightness (nits)	250cd/m ²
Contrast Ratio	1000:1
Viewing Angle	178(H)/178(V)
Response Time	5ms
Backlight	LED backlight
Interface	VGA,HDMI
Optional Interface	DVI, BNC
Power	12-24VDC/ 110VAC
Power Consumption	≤25W
Plug & Play	DDC 1/2B
OSD Control	Auto adjust, Brightness, Contrast, Hori. / Vert. Position, Clock, Phase, Color, Language
Menu	English/Chinese (other languages supported)
Mounting	Embedded Mount
Optional Mounting	VESA 75mm/100mm
Certificate Approval	CE, RoHS, CCC, FCC, ISO9000(optional UL)
Warranty	1 year



Ordering Information

Part Number	Description
X0444 -19.5	19.5" Industrial LCD Monitor (Non Touch): Stainless Steel
LC-MI15601E	15.6" Industrial LCD Monitor (Non Touch): Stainless Steel
15.6-VERSA	15.6" Screen to Versaview SS Adaptor Plate