

# Tri-axial Accelerometer

AVAILABLE FROM  
NEPEAN ELECTRONICS



NEPEAN Power is a proven leader in the supply and manufacture of quality engineered solutions, products and technologies. Established in 1994, through the commitment of our dedicated team we have become a supplier of choice.

General purpose top-entry constant current accelerometer with 3 isolated AC outputs (X, Y and Z axes) and a 4 pin M12 connector. Internal electronics are isolated to minimise noise with increased bias voltage stability. Ideal for any application where vibration in all three spatial axes needs to be measured.

## Applications

- Aerospace
- Automotive
- Research and development

## Technical

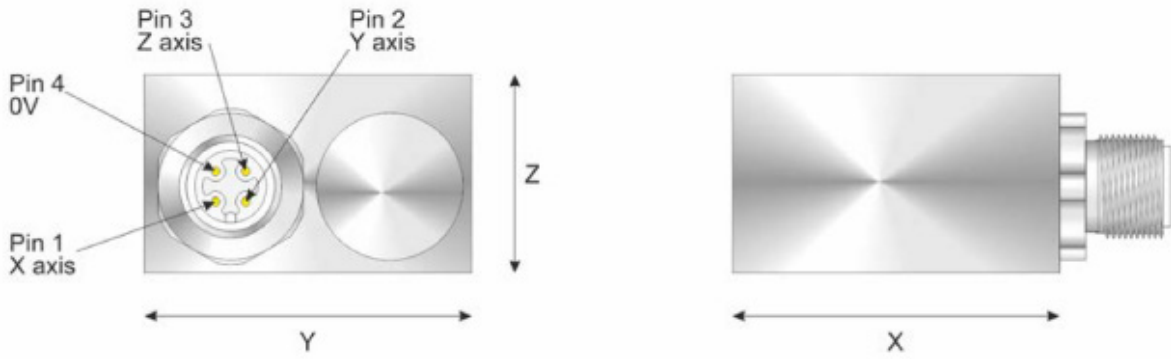
Standard Sensitivity	100mV/g $\pm$ 10% nominal @ 80Hz
Frequency response	2Hz to 9kHz $\pm$ 5% (-3dB @ 0.8Hz)
Isolation	Base isolated
Transverse sensitivity	<10%
Acceleration Range	$\pm$ 80g
Operating temperature	-25 to 90°C
Bias Voltage	12VDC (nominal)
Case material	Stainless steel (aluminium optional)
Mounting	1 point M6x25 cap head (supplied)
Connector	4 pin M12
Weight	100g (nominal)
Sealing	IP66

## Ordering Information

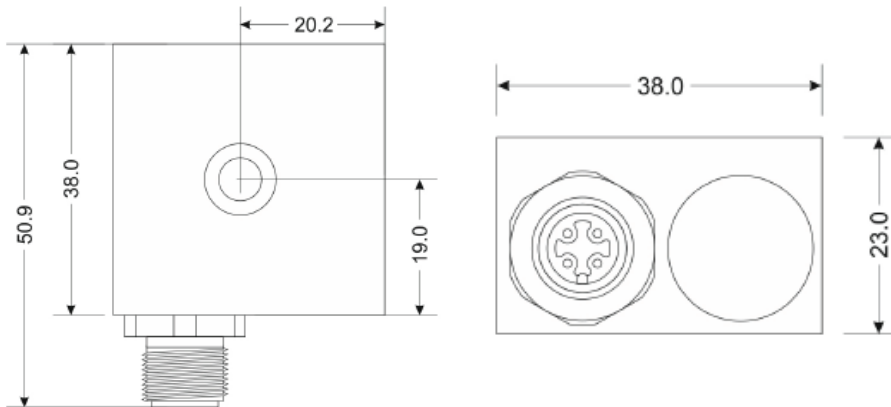
Part Number	Description
X1330	Tri-axial accelerometer

# Tri-axial Accelerometer

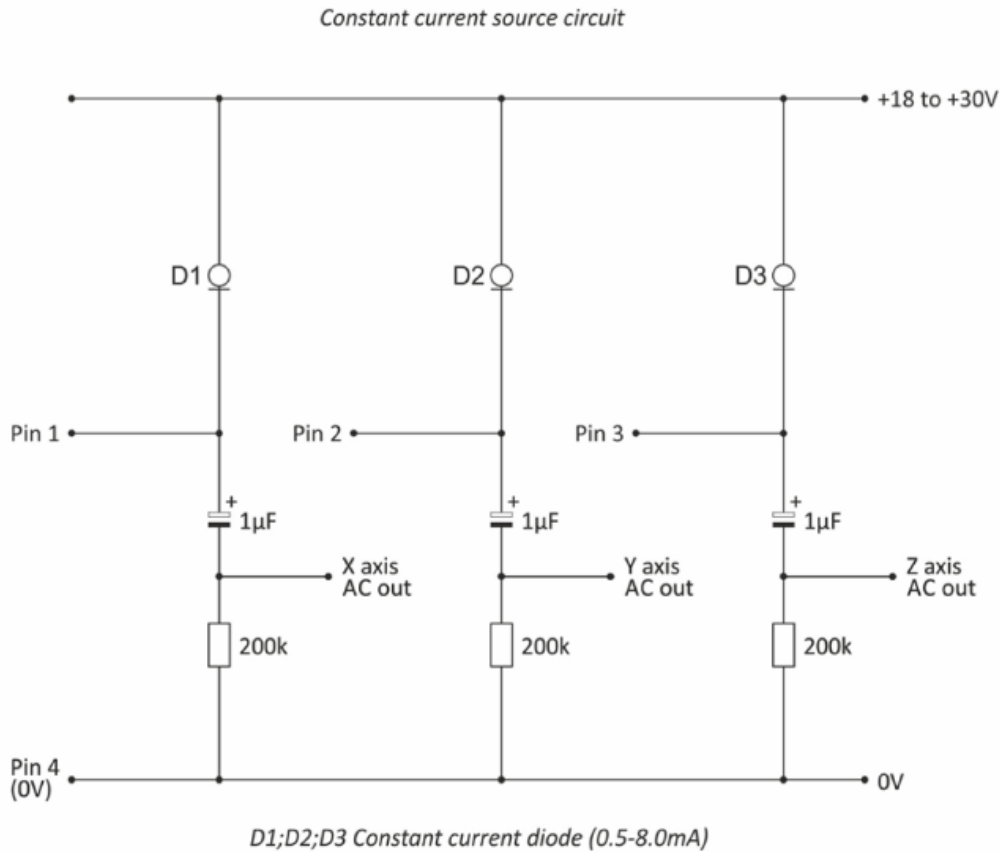
## Pin Connections



## Dimensions



## System Connection



NEPEAN  
Power

www.nepeanpower.com

For more information please contact:

P: +61 2 4088 2790

E: power@nepean.com