

NER Resistor

AVAILABLE FROM
NEPEAN ELECTRONICS



NEPEAN Power is a proven leader in the supply and manufacture of quality engineered solutions, products and technologies. Established in 1994, through the commitment of our dedicated team we have become a supplier of choice.

The NEPEAN Power continuously rated NER Resistor has high power, stable resistance, good heat dissipation and long life.

Features

- The resistor has a ribbon wire mounted on a porcelain insulator.
- Open coil construction allows efficient heat dissipation and accommodates overloads and surges
- Insulators provide spacing and support
- Terminals are welded to the resistive wire for reliable electrical connection
- The wire is copper or nickel-chromium alloy

Numbering System

N66 - 2 - 28 - 55

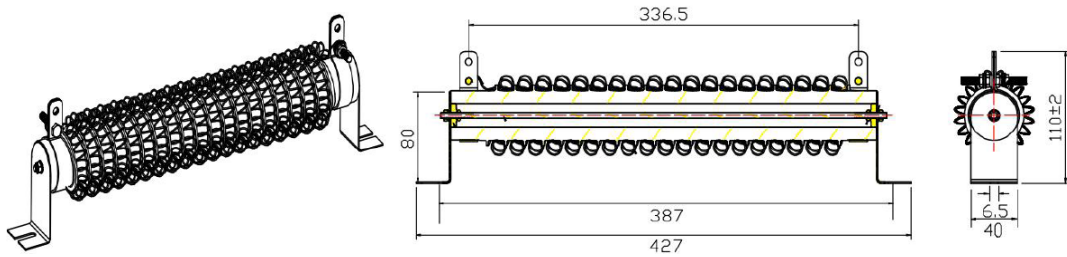


Part Number	Description	Suitable For
N11-5-382-1908	382 Ohm, 5A Continuous 3300V Phase System Wirewound Resistor	3300V 3 Phase Systems
N22-5-127-635	127 Ohm, 5A Continuous 1100V Phase System Wirewound Resistor	1100V, 1050V, 1050V 3 Phase Systems
N33-5-80-399	80 Ohm, 5A Continuous 690V Phase System Wirewound Resistor	690V 3 Phase Systems
N44-5-48-240	48 Ohm, 5A Continuous 415V Phase System Wirewound Resistor	415V 3 Phase Systems
N55-5-24-120	24 Ohm, 5A Continuous 240V Phase System Wirewound Resistor	240V Centre Tap
N66-5-13-60	12.7 Ohm, 5A Continuous 110V Phase System Wirewound Resistor	110V 3 Phase Systems
N66-5-11-55	11 Ohm, 5A Continuous 110V Phase System Wirewound Resistor	110V Centre Tap
N66-2-28-55	28 Ohm, 5A Continuous 240V Phase System Wirewound Resistor	240V 3 Phase Systems

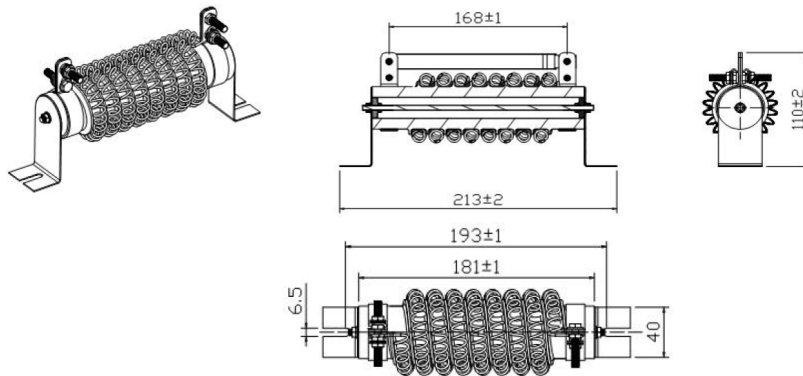
NER Resistor

Dimensions

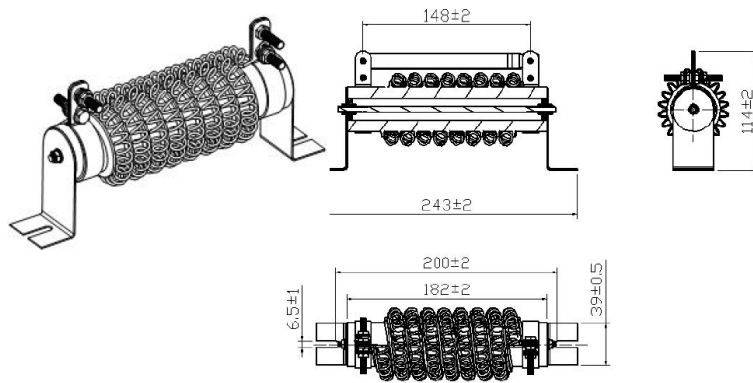
N22-5-127-635, N33-5-80-399



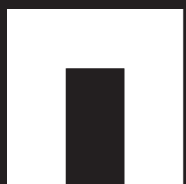
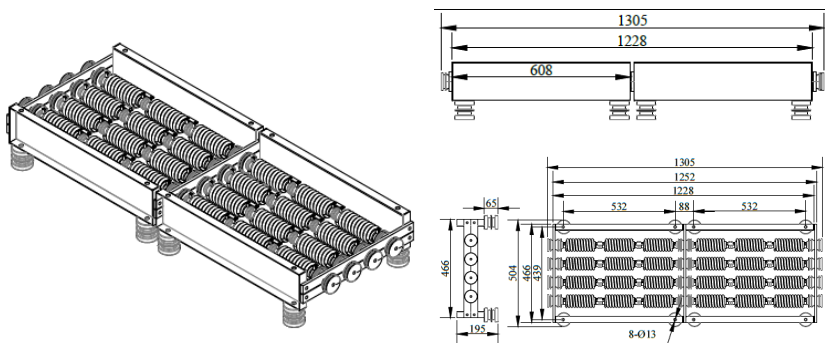
N44-5-48-240, N55-5-24-120, N66-5-11-55, N66-2-28-55



N66-5-13-60



N11-5-382-1908



NEPEAN
Power

www.nepeanpower.com

For more information please contact:

P: +61 2 4088 2790

E: power@nepean.com