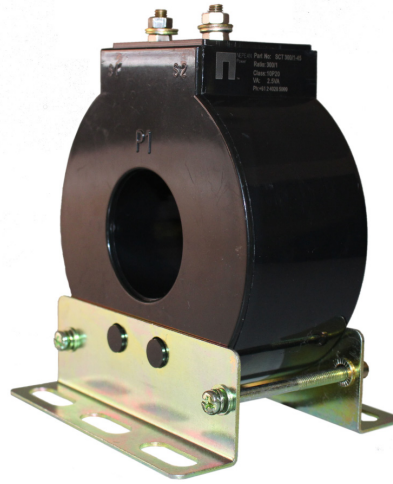


Protection Current Transformers



AVAILABLE FROM
NEPEAN ELECTRONICS

NEPEAN Power is a proven leader in the supply and manufacture of quality engineered solutions, products and technologies. Established in 1994, through the commitment of our dedicated team we have become a supplier of choice.

NEPEAN Power can assist with the supply of Protection Class Current Transformers. To assist with correct selection, NEPEAN Power supplies a limited range suitable for use with 11-22kV EPR cabling. These toroidal current transformer are suitable for use with most electronic protection relays. All Control Transformers are of compact design, with high mechanical and dielectric strength, using nonhygroscopic and non hazardous materials.

There are two types of Protection Control Transformers:

- P Class
- PL Class (AS1675), PX Class (AS60044.1)

P Class

- AS1675 specifies the rated composite error, rated secondary reference voltage and rated accuracy limit factor.
*Rated secondary reference voltage x Rated secondary current = Rated output (VA) x Rated accuracy limit.
When the CT is incorrectly specified the resulting conversion often gives unrealistic values, especially for the VA.
- AS60044.1 specifies the rated output (VA), rated composite error and rated accuracy limit.

PL Class

The design of the PL and PX classes is identical. The difference exists in the test results required to be submitted by the standard. AS1675 requires one typical excitation curve to be supplied for each batch of PL class CT's while AS60044.1 requires an excitation curve to be supplied for each PX class CT.

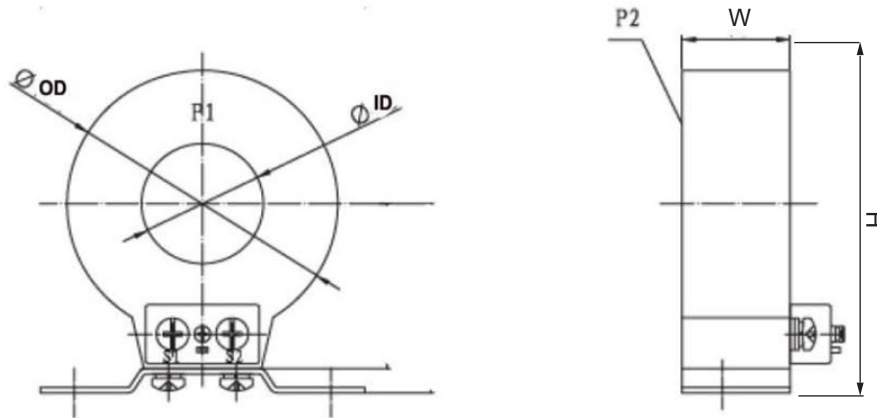
It is essential that the correct designation, according to the standard required, is used when specifying Protection Control Transformers:

AS1675	AS60044.1
5P60F20 100/5A	15VA 5P20 100/5A
0.15PL200R1.2 500/2A	0.15PX200R1.2 500/2A

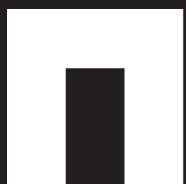
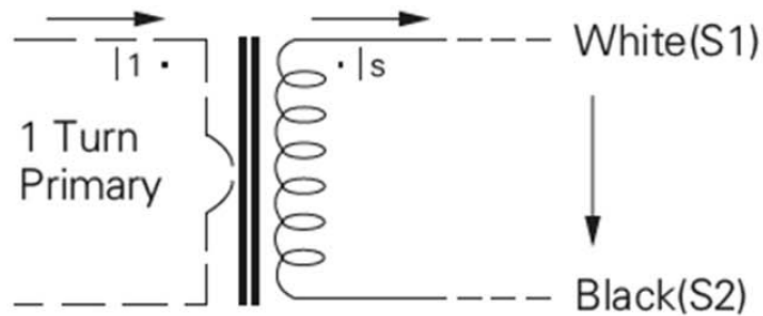
Protection Control Transformers

Technical Specifications

Part Number	Description	Dimensions				Weight
		ID	OD	W	H	
SCT 30/1-53	Protection CT Window 53mm 2.0VA10P10 30/1	53				
SCT 100/1-45	Protection CT Window 45mm 2VA10P10 100/1	45				
SCT 200/1-45	Protection CT Window 45mm 2.5VA5P20 200/1	45				
SCT 300/1-45	Protection CT Window 45mm 2.5VA10P20 300/1	45	90	48	144	1.5kg
SCT 400/1-45	Protection CT Window 45mm 2.5VA5P20 400/1	45				
SCT 500/1-50	Protection CT Window 45mm 2.5VA 10P20 500/1	50	113.5	52	123	1.6kg
SCT 600/1-45	Protection CT Window 45mm 2.5VA10P20 600/1	45	94	48	144	1.5kg
SCT 1250/1-80	Protection CT Window 80mm 2.5VA5P20 1250/1	80				



Circuit Connection Diagram



NEPEAN
Power

www.nepeanpower.com

For more information please contact:

P: +61 2 4088 2790

E: power@nepean.com