

NEPEAN
Power

AM3SE Medium Voltage Overload

**UNDERGROUND
MINE SAFE
NO BATTERIES
NO SUPER CAPACITOR**



**AVAILABLE FROM
NEPEAN ELECTRONICS**

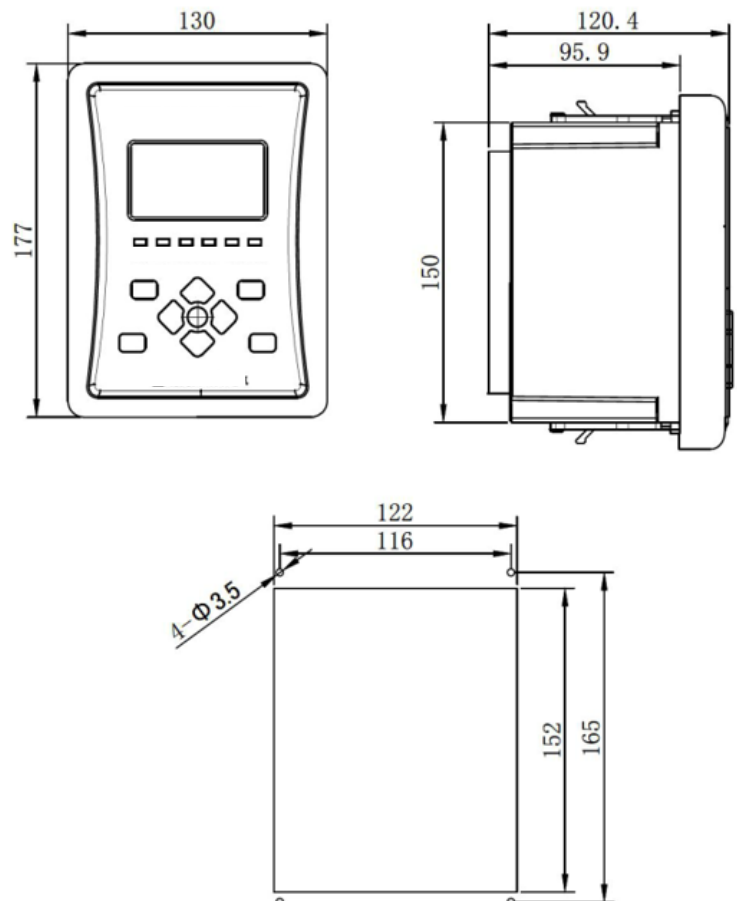
NEPEAN Power is a proven leader in the supply and manufacture of quality engineered solutions, products and technologies. Established in 1994, through the commitment of our dedicated team we have become a supplier of choice.

The NEPEAN AM3SE relays have been designed with the intent to control, protect and monitor industrial installations, public distribution networks and substations. Furthermore, they can be applied to be used as part of a protection scheme for transformers and generator transformers. Additionally, they provide back-up protection for HV and EHV transmission systems.

Features & Benefits

- Complete set of protection, related to application
- 5 Current input, 3 Voltage input, 11DI, 5DO
- Auxiliary power supply that adaptable to; AC220V, DC220V, DC110V, AC110V; DC48V, DC24V
- 1 RS485 serial communication, IEC60870-5-103 and Modbus -RTU
- 1 GPS for GPS timing
- Exceeding 200 sequence of event records, 400 system logs and 10 seconds tripping context records
- Powerful graphic programmable Logic
 - 2 Characteristic
- Rich protection functions
 - Feeder protection
 - Transformer protection
 - Voltage protection
- Measurements
 - RMS voltage and current values
 - Frequency
 - Power factor
 - RMs active power
- Control Functions
 - Remote and local control
 - Programmable switchgear interlocking

Case Dimension

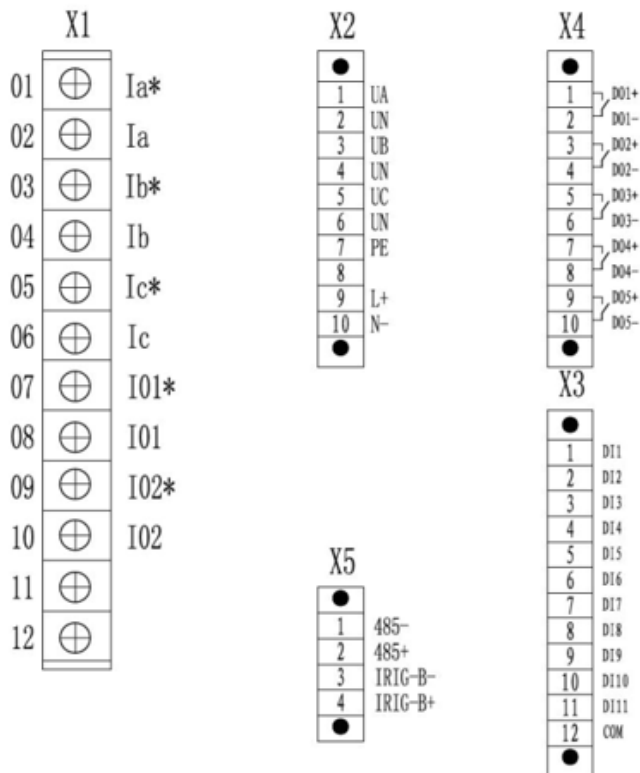


AM3SE Medium Voltage Overload

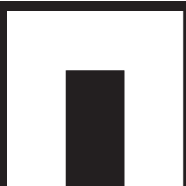
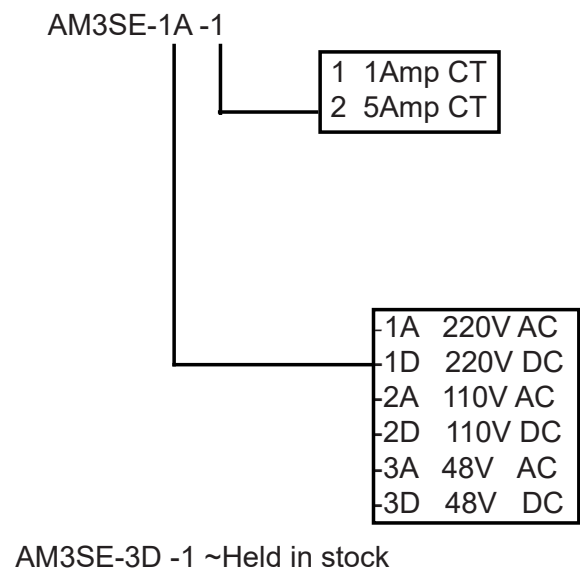
Specifications

Power supply	Rated input	AC/DC220V, AC/DC110V, DC48V, DC24V
	Range	Rated Voltage x (1±20%)
	Consumption	< 10W (DC)
Rated Voltage	Rated input	AC 100V/100/ $\sqrt{3}$ V
	Range	1 ~ 120V
	Accuracy	±0.5%
	Consumption	<0.5A (single phase)
Rated Current	Rated input	AC 5A/1A
	Range	0.04In ~ 15In
	Accuracy	±0.5%
	Consumption	<0.5A (single phase)
Frequency	Rated frequency	50Hz or 60Hz
	Range	45~55Hz or 60Hz
	Accuracy	±0.1Hz
DI	Rated Voltage	AC/DC220V, AC/DC110V, DC48V, DC24V
	Range	Rated Voltage x (1±20%)
	Consumption	<1W (DC220v) (single channel)
DO	Mechanical life	>1000
	Switching capacity	>1000W, L/R = 40ms
	On current	continuous >5A, short time (200ms) >30A
	Interrupting capacity	>30W, L/R = 40ms
Environment	Temperature	-10° ~ +55°C
	Humidity	5% ~ 95% (No condensation and freeze inside)
	Altitude	<4000m

Wiring Diagram



Ordering Information and Variations



NEPEAN
Power

www.nepeanpower.com

For more information please contact:

P: +61 2 4088 2790

E: power@nepean.com