

690V Square Pipe Fuses

AVAILABLE FROM
NEPEAN ELECTRONICS



NEPEAN Power is a proven leader in the supply and manufacture of quality engineered solutions, products and technologies. Established in 1994, through the commitment of our dedicated team we have become a supplier of choice.

NEPEAN Power's range of 690V Square Pipe Fuses offer superior protection against overload and short-circuit in electric lines (type gG) and protection of semiconductor parts and equipments against short-circuit (type aR). These fuses have a rated voltage up to 690V, a rated breaking capacity up to 120kA and a working frequency of 50Hz AC. These fuses are suitable for a variety of different industry requirements with a range to suit rated currents between 63A and 160A. Our fuses are manufactured in compliance with GB13539 and IEC269.

Features

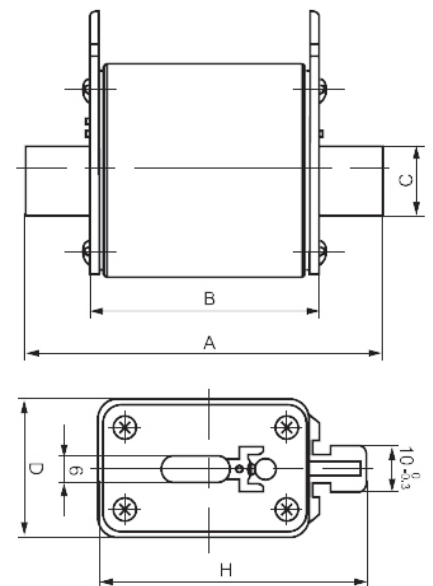
- Variable cross-section fuse element made from pure copper or silver sealed in cartridge made from high-duty ceramic material
- Fuse tube filled with chemically treated high-purity quartz sand as arc extinguishing medium
- Dot-welding of fuse element ends to the terminals ensures reliable electric connection and forms insert knife type contacts
- Indicator or striker may be attached to the fuse link to show cutout of fuse or to give various signals and to cut the circuit automatically

RNH Series - Size 00, Type gG (Normal)

Part Number	Rated Current	Rated Voltage	Dimensions (mm)					Weight (g)
			A	B	C	D	H	
RNH-63	63A	690V	78	50.5	15	30	60	201
RNH-80	80A	690V	78	50.5	15	30	60	201
RNH-100	100A	690V	78	50.5	15	30	60	201
RNH-125	125A	690V	78	50.5	15	30	60	201
RNH-160	160A	690V	78	50.5	15	30	60	201

RS31 Series - Size 00, Type aR (Fast)

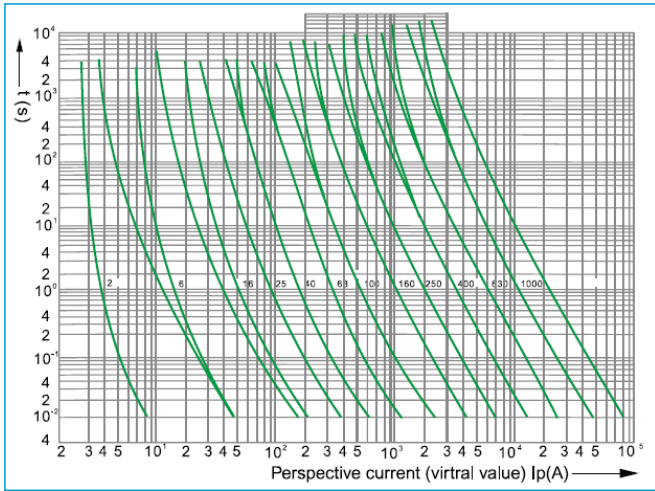
Part Number	Rated Current	Rated Voltage	Dimensions (mm)					Weight (g)
			A	B	C	D	H	
RS31-60A	63A	690V	78	50.5	15	30	60	201
RS31-80A	80A	690V	78	50.5	15	30	60	201
RS31-100A	100A	690V	78	50.5	15	30	60	201
RS31-125A	125A	690V	78	50.5	15	30	60	201
RS31-160A	160A	690V	78	50.5	15	30	60	201



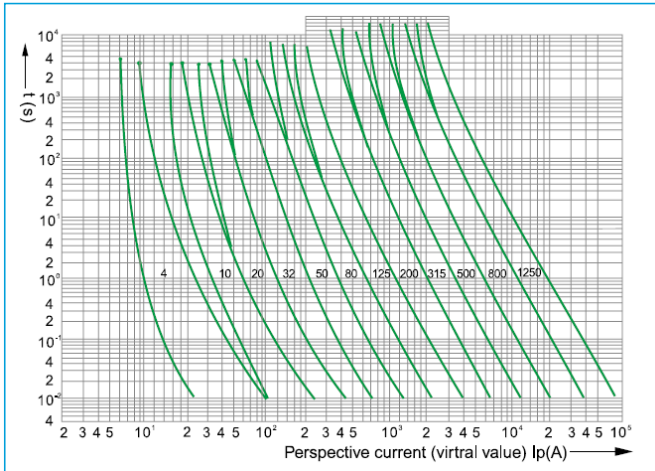
690V Square Pipe Fuses

Characteristics Curve

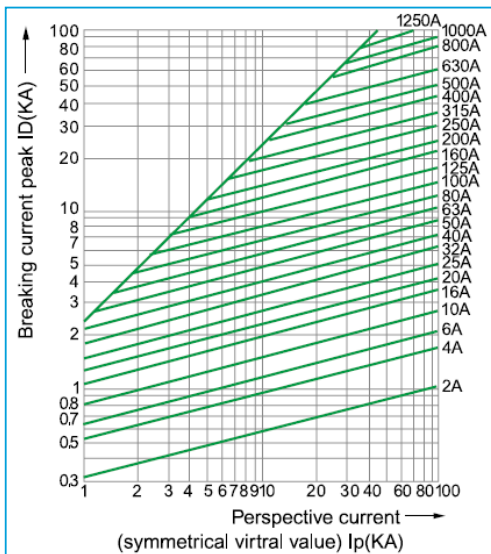
Type gG



Time-Current Range

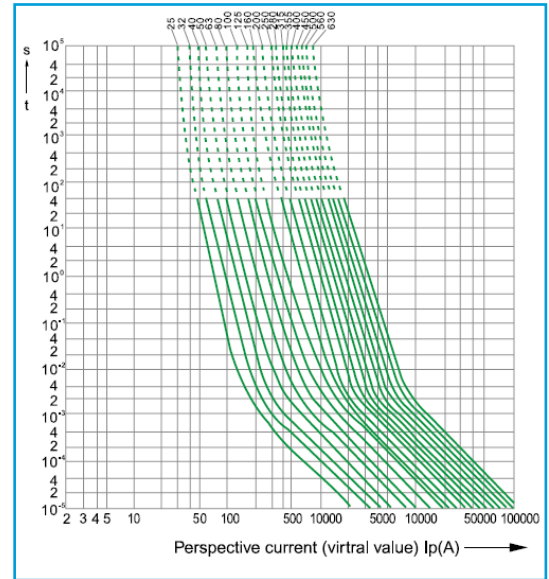


Time-Current Range

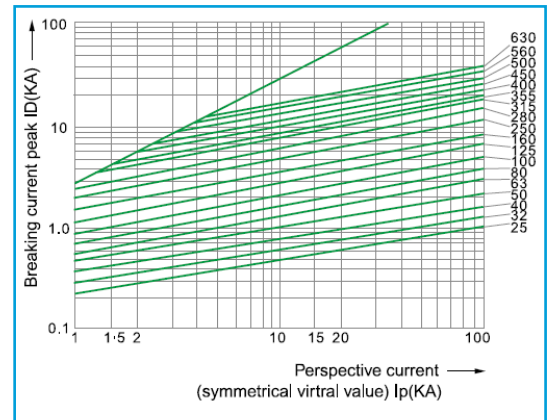


Breaking-Current Characteristics

Type aR



Time-Current Range

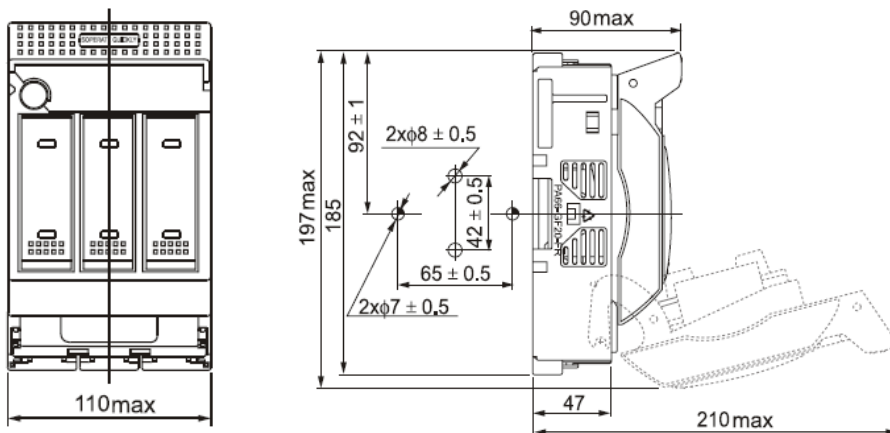


Breaking-Current Characteristics

3 Phase Fuse Carrier

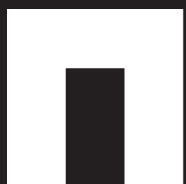


Dimensions



Ordering Information

Part Number	Description
DS-3-690	3 Phase Fuse Carrier Disconnect Switch 690V



NEPEAN
Power

www.nepeanpower.com

For more information please contact:
P: +61 2 4088 2790
E: power@nepean.com