

# HFC – Holistic Frozen Contactor Relay

AVAILABLE FROM  
NEPEAN ELECTRONICS



NEPEAN Power is a proven leader in the supply and manufacture of quality engineered solutions, products and technologies. Established in 1994, through the commitment of our dedicated team we have become a supplier of choice.

The HFC - Holistic Frozen Contactor relay has been designed to detect voltage leak across the contacts of any type of electrical switching device for the protection of personnel from injury, electrical shock or the risk of electrical sparking.

## Operational

The HFC is designed to detect a leakage of voltage across a switching device of 24 volts or more when the switching device is in the open or tripped position.

A barrier is used in conjunction with this relay. The barrier is a three phase unit used to isolate high voltages from the detection equipment. As the barrier is a three phase unit leakage on any or all of the phases being monitored will be detected and cause a trip. The detection circuit is non fail safe and energises on detection of leakage. The unit has its own internal power supply card.

## Features

- Internal Power Supply
- Timer delay function adjustable to 4 - 20 seconds for situations where the system is directly switching motors
- Detection circuit is non-fail safe and energises on detection of leakage
- Factory set to detect a leakage of 24V or more
- LED indication of power on
- LED warning when the Frozen Contactor/Loss of Vacuum Fault rises
- Used in conjunction with a Holistic Safety Barrier suitable for systems up to 1100V.

## Specifications

Supply	24-48V AC/DC 50/60Hz 5VA (continues to operate for 25 seconds after the removal of power supply)
Material	High Impact Polycarbonate Housing
Voltage Tolerances	-30% ~ 20% -100% for 2+ seconds
Leakage	Factory set to detect 24V or more
Relay Rating	Coil to contract 2.5kV withstand 2x10 <sup>5</sup> Operations
Relay Contacts	2 pole changeover 5A-250V
Base Mounting	DIN rail
Reset Facility	Local and Remote Reset Facilities

## Ordering Information

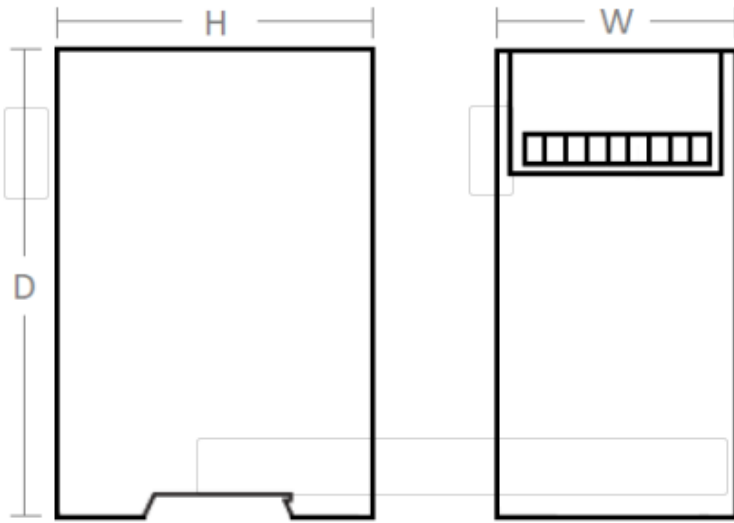
Part Number	Description
X0511	Holistic Frozen Contact Relay
X0512	Safety Barrier

# Holistic Frozen Contactor Relay

## Dimensions

Relay: D = 110 H = 95 W = 55

Barrier: D = 110 H = 95 W = 35



Unit is DIN Rail Mounted

## Performance

X0511 - HFC Holistic Frozen Contact Relay

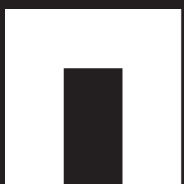
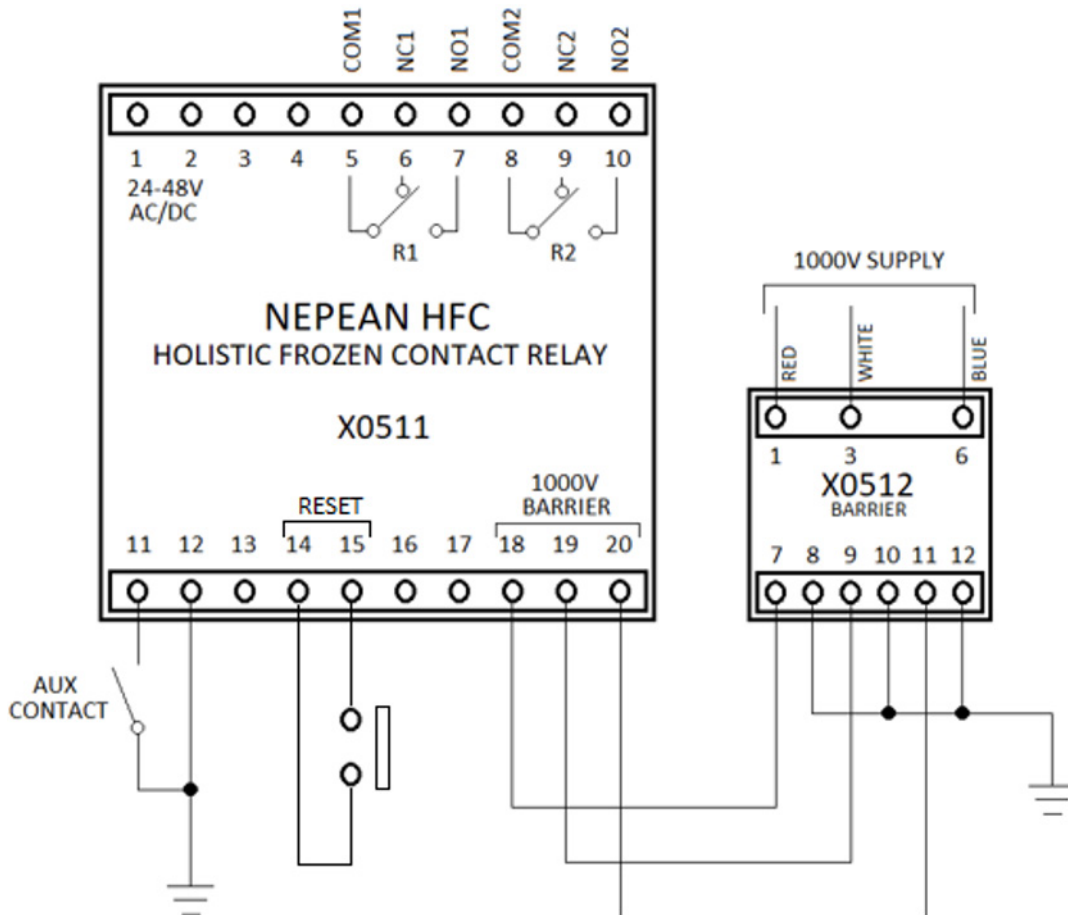
Aux Supply Voltage: 28 - 48V AC/DC

Compliant to: AS/NZS 2081:2011

Aux Relay Contacts: 250VAC 5A

X0512: 1100V Safety Barrier

## Connection Diagram



**NEPEAN**  
Power

www.nepeanpower.com

For more information please contact:

P: +61 2 4088 2790

E: power@nepean.com