




# Limit Switches

AVAILABLE FROM  
NEPEAN ELECTRONICS



NEPEAN Power is a proven leader in the supply and manufacture of quality engineered solutions, products and technologies. Established in 1994, through the commitment of our dedicated team we have become a supplier of choice.

## Ordering Information

Part Number	XCK-J10541	XCK-J106	XCK-J108
Description	Rotary Switch Adjustable Arm	Wobble Limit Switch Long	Wobble Limit Switch Short
			

## Specifications

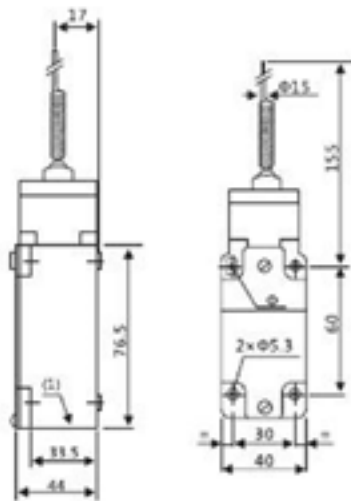
Product		
Operation Speed	0.5mm-500mm/s	
Operation Frequency	Mechanical: 120 times/m / Electrical: 30 times/m	
Insulation Resistance	> 100MΩ (@ 500VDC)	
Contact Resistance	25mΩ max.	
Dielectric Strength	@ 1000VAC, 50/60Hz, between discrete terminal, for 1 min. @ 1500VAC, 50/60Hz, between charged part and non charged part, and between terminal and earthing contact , for 1 min.	
Vibration	Mechanical durability 10 - 55Hz 1.5 double amplitude	
Impact	Mechanical endurance: -1000m/s (about 100G's) Misoperation endurance: -300m/s (about 300G's)	
Operating Temperature	-10°C + 70°C	
Humidity	<95% RH max	
Service Life	Mechanically: 10 000 000 operations min Electrically: 500 000 operations min	
IP Rating	IP65	
Inrush Current	NC	max 30A
	NO	max 20A
Material	Metal (Zamak) Aluminium Free	

# Limit Switches

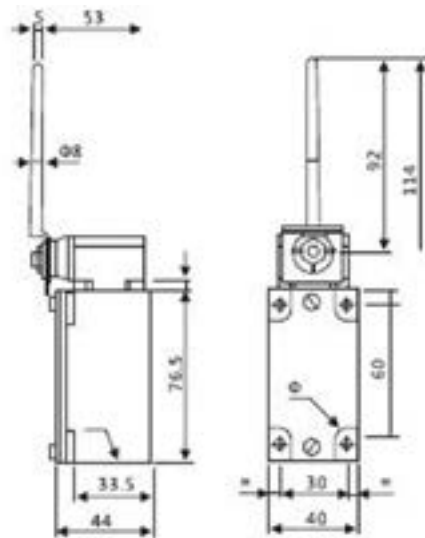
## Voltage Specifications

Rated Voltage	Noninductive Load (A)				Inductive Load (A)			
	Resistive Load		Lampload		Inductive		Motorload	
	NC	NO	NC	NO	NC	NO	NC	NO
125VAC	6	5	1.5	0.7	3	3	2	1
250VAC	6	5	1	0.5	3	3	1.5	0.8
14VDC	5	5	3	3	5	4	3	3
30VDC	5	5	3	3	4	4	3	3
125VDC	0.4	0.4	3	3	4	4	3	3
Inrush Current	NC < 24A NO < 12A							

XCK - J106 Dimensions



XCK - J108 Dimensions



XCK - J10541 Dimensions

