

# Vortex Cooler



AVAILABLE FROM  
NEPEAN ELECTRONICS

NEPEAN Power is a proven leader in the supply and manufacture of quality engineered solutions, products and technologies. Established in 1994, through the commitment of our dedicated team we have become a supplier of choice.

The NEPEAN Power Vortex Coolers provide an affordable and reliable method of keeping enclosures cool to protect devices from damage of heat.

Our design is compact allowing quick and easy installation and minimal maintenance.

These Vortex Coolers are made of durable Stainless Steel and offer IP66 protection and resistance to oxidation and corrosion.

## Technical Specifications

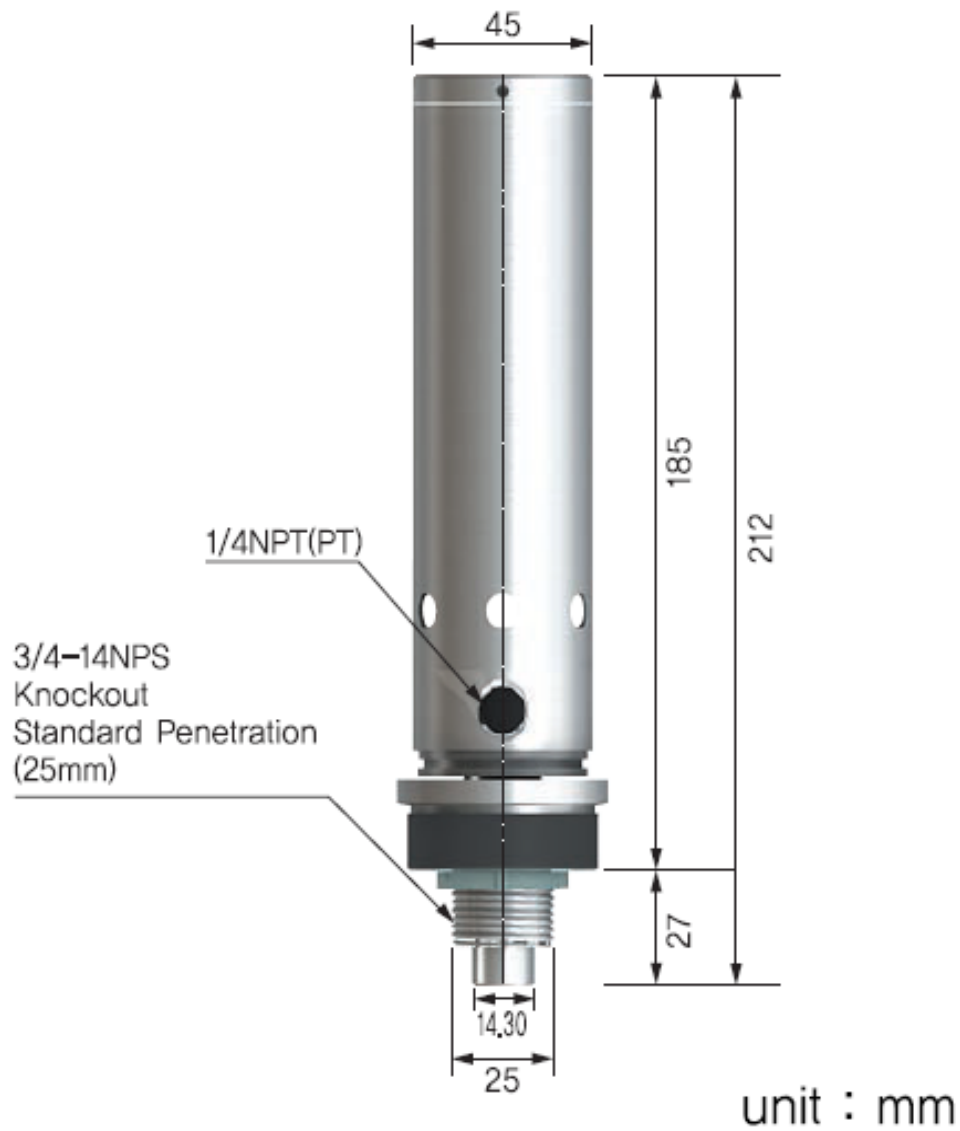
Part Number	Inlet Pressure PSIG (bar)	Consumption (l/min)	Cooling Capacity		
			Watt	BTU/h	Kcal/h
SMVCC20108M	100(7)	220	174	580	147
SMVCC20110M	100(7)	280	200	600	152
SMVCC20115M	100(7)	420	330	1100	278
SMVCC20125M	100(7)	560	750	2500	630
SMVCC20135M	100(7)	600	1050	3500	882

## Ordering Information

Part Number	Description
SMVCC20108M	CNC Vortex Cooler with 5µm Water Filter and Ducting, 580BTU/h
SMVCC20110M	CNC Vortex Cooler with 5µm Water Filter and Ducting, 600BTU/h
SMVCC20115M	CNC Vortex Cooler with 5µm Water Filter and Ducting, 1100BTU/h
SMVCC20125M	CNC Vortex Cooler with 5µm Water Filter and Ducting, 2500BTU/h
SMVCC20135M	CNC Vortex Cooler with 5µm Water Filter and Ducting, 3500BTU/h

# Vortex Cooler

## Diagram



**NEPEAN**  
Power

[www.nepeanpower.com](http://www.nepeanpower.com)

For more information please contact:

P: +61 2 4088 2790

E: [power@nepean.com](mailto:power@nepean.com)

17-1