

Solid Rubber Wheel



AVAILABLE FROM
NEPEAN POWER

NEPEAN Power is a proven leader in the supply and manufacture of quality engineered solutions, products and technologies. Established in 1994, through the commitment of our dedicated team we have become a supplier of choice.

NEPEAN Power can build solid rubber wheels to suit many different applications. We have the capability to bond rubber to rims of almost any size including custom designs for specialised applications. The rubber is bonded to steel using a high quality rubber bonding technique, providing a seamless join between rubber and steel. Wheels built in this way can be relied upon to perform well for years, even in harsh working conditions.

Applications

- Forklifts and LHD's working in underground mines
- Heavy trailer wheels for carrying large generators and underground roof supports
- Drive wheels, idler wheels and mid rollers for tractors with rubber tracks
- Wheels for vintage vehicles such as Brenn gun carriers and vintage fire engines

Ordering Information

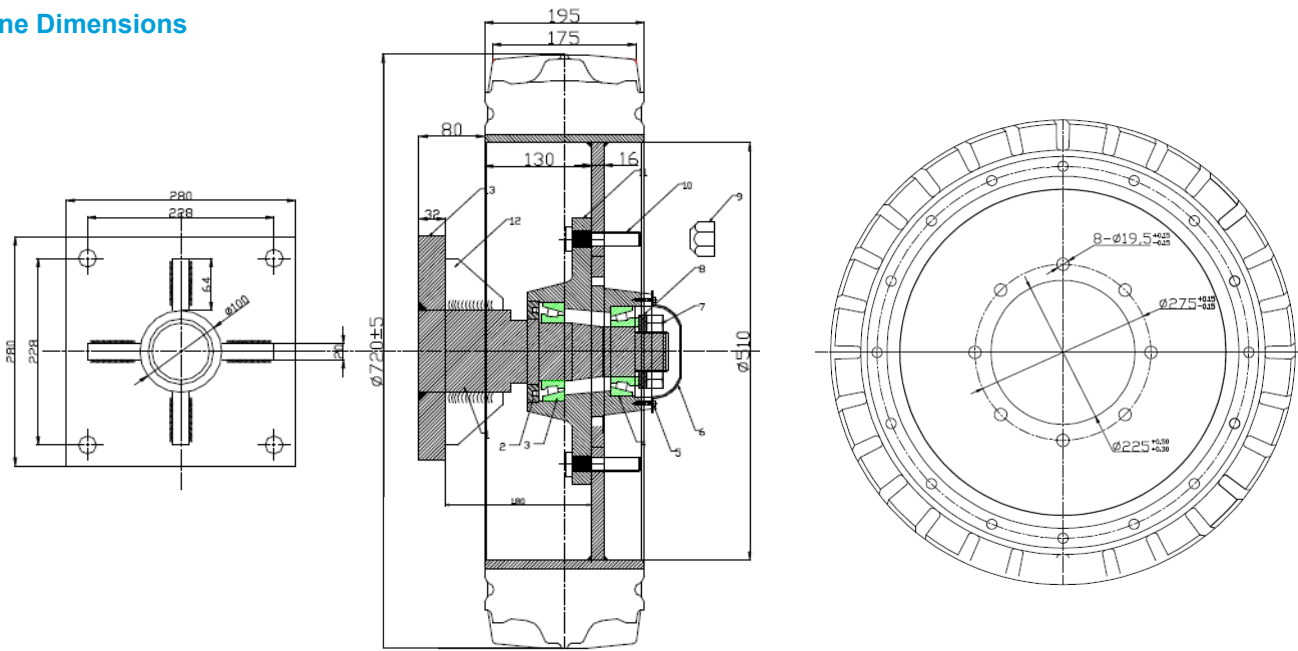
Part Number	Tonnage	Size (H x W)
3.5T_SR_28x7	3.5 Tonne	720 x 195
3.5T_SR_28x7H	3.5 Tonne	720 x 195 *
5.3T_SR_300-15	5.3 Tonne	802 x 260
5.5T_SR_22x12	5.5 Tonne	558 x 305 *
8.0T_SR_32x12	8 Tonne	822 x 320 *

Stocked items *



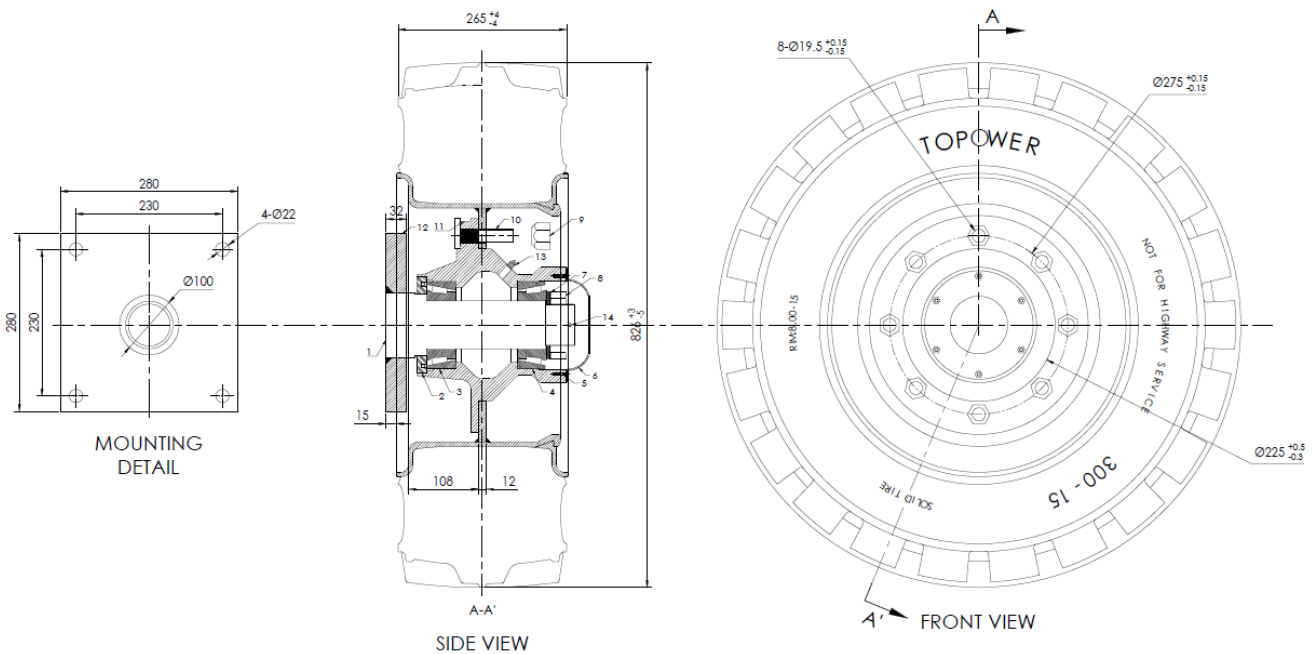
Solid Rubber Wheel

3.5 Tonne Dimensions



Item	Description		
1	Stub Axle	7	Shaft Lock Nut
2	Seal Ring	8	Name Plate
3	Inner Bearing	9	Wheel Nut
4	Outer Bearing	10	Wheel Bolt
5	Socket Head Cap Screw	11	Wheel
6	Dust Cap	12	Gusset
		13	Split Pin

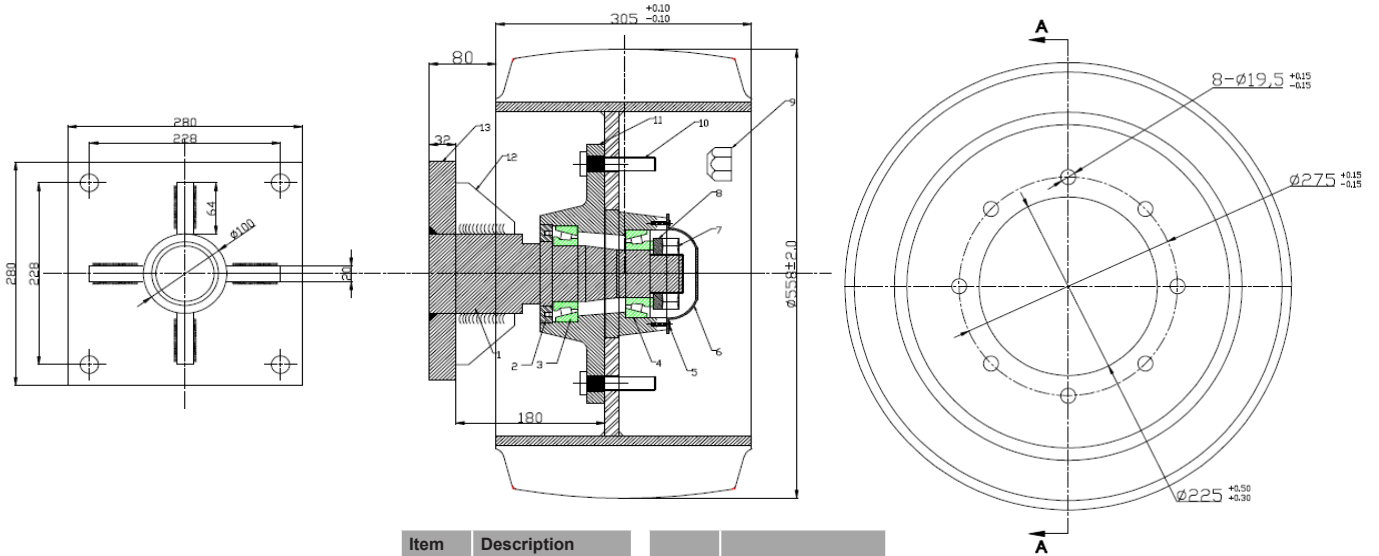
5.3 Tonne Dimensions



Item	Description		
1	Axle	8	Flat washer (gasket)
2	Seal Ring	9	Hub nut
3	Tapered roller Bearing	10	Hub bolt
4	Tapered roller Bearing	11	Hub
5	Shaft lock bolt	12	Baseplate
6	Axle Cover	13	Nipple
7	Axle lock bolt	14	Split pin

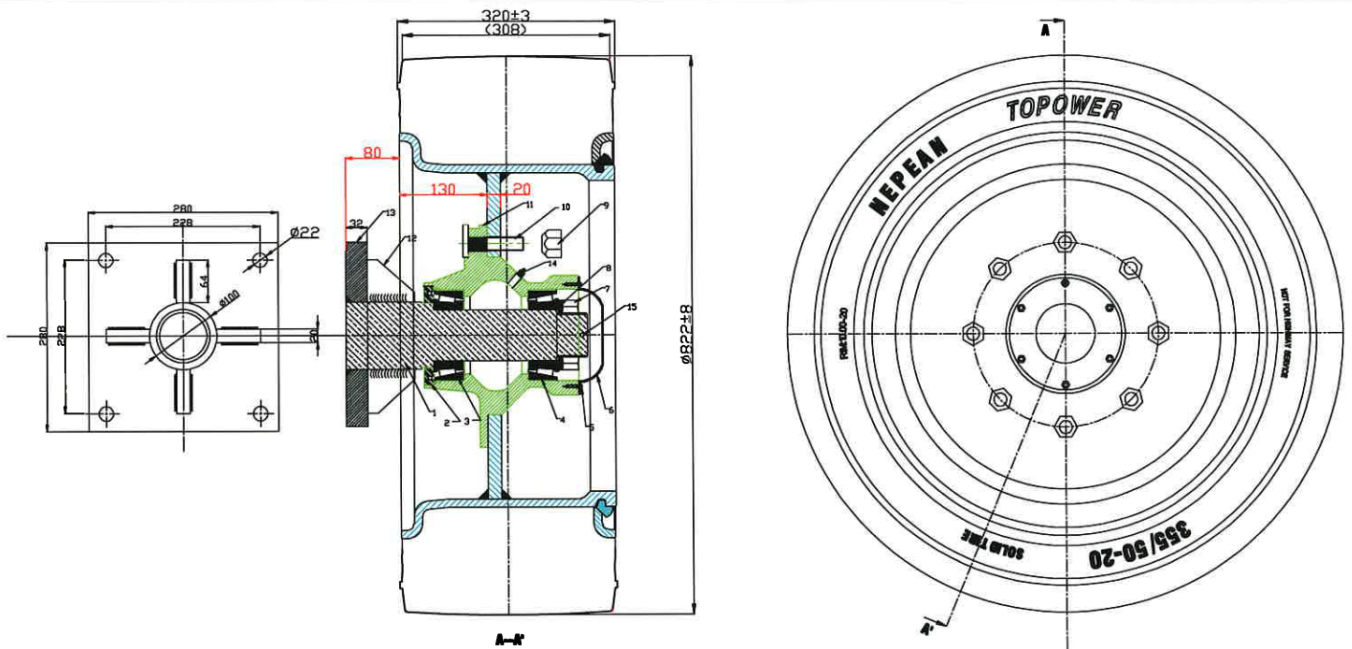
Solid Rubber Wheel

5.5 Tonne Dimensions

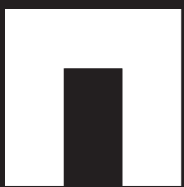


Item	Description		
1	Stub Axle	7	Shaft Lock Nut
2	Seal Ring	8	Name Plate
3	Inner Bearing	9	Wheel Nut
4	Outer Bearing	10	Wheel Bolt
5	Socket Head Cap Screw	11	Wheel
6	Dust Cap	12	Gusset
		13	Split Pin

8 Tonne Dimensions



Item	Description		
1	Axle	9	Hub Nut
2	Seal Ring	10	Hub Bolt
3	Tapered Roller Bearing	11	Hub
4	Tapered Roller Bearing	12	Triangle Support Plate
5	Shaft Lock Bolt	13	Baseplate
6	Axle Corner	14	Nipple
7	Axle Lock Bolt	15	Split Pin
8	Flat washer (gasket)		



NEPEAN
Power

www.nepeanpower.com

For more information please contact:

P: +61 2 4088 2790

E: power@nepean.com