

# Sloped Roof MBS and MBSD Enclosures



AVAILABLE FROM  
NEPEAN POWER

NEPEAN Power is a proven leader in the supply and manufacture of quality engineered solutions, products and technologies. Established in 1994, through the commitment of our dedicated team we have become a supplier of choice.

The MBS Sloped Roof Enclosure in stainless steel has been designed to endure the most rugged & demanding environments. Typically suited to mining & industrial applications, the enclosure is flange mounted and comes complete with mounting pan and earth strap.

## Features

- IP66 - Complete protection from dust, oil, and other non-corrosive material
- Grade 316 Stainless Steel provides superior corrosion and heat resistance
- Heavy duty body construction - 1.5mm
- Internal C Rails
- 30 degree sloped roof / 5mm over hang
- Flange mounted
- Concealed stainless steel hinges
- Fully welded construction
- Polyurethane gasket
- 8mm Stainless Steel square drive spanner lock
- Mounting pan 2mm powder coated white mild steel
- Earth strap kit included

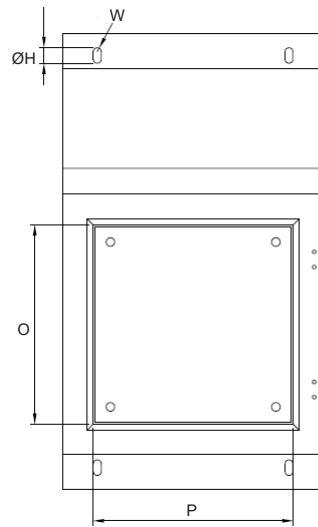
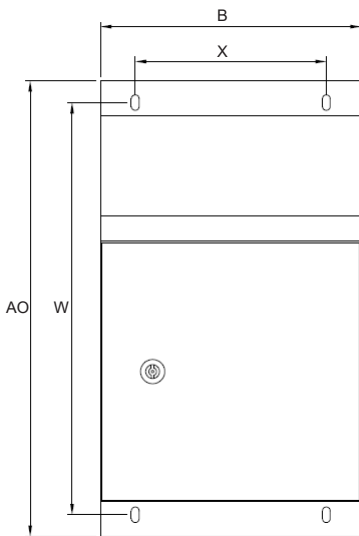


# Sloped Roof MBS Series

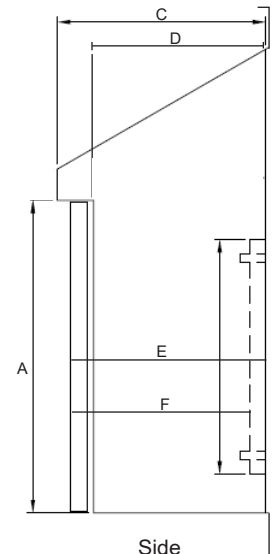
Part Number	External Dimensions					Internal Dimensions		Mounting Pan				Opening Size		Fixing Centres		Mounting Holes		Number of Locks
	A	B	C	D	AO	E	F	J	K	J1	K1	O	P	W	X	ØW	ØH	
MBS3 320 *	300	300	200	165	525	191.5	176.5	225	225	190	190	230	230	475	220	9	18	1
MBS4 320	400	300	200	165	625	191.5	176.5	325	225	290	190	330	230	575	220	9	18	1
MBS4 420 *	400	400	200	165	625	191.5	176.5	325	325	290	290	330	330	575	320	9	18	1
MBS4 620	400	600	200	165	655	191.5	226.5	325	525	290	490	330	530	605	520	9	18	1
MBS6 425	600	400	250	215	855	241.5	226.5	525	325	490	290	530	330	805	320	9	18	2
MBS6 625 *	600	600	250	215	855	241.5	226.5	525	525	490	490	530	530	805	520	9	18	2
MBS8 625	800	600	250	215	1055	241.5	226.5	725	525	690	490	730	530	1005	520	9	18	2
MBS8 635	800	600	350	315	1110	341.5	326.5	725	525	690	490	730	530	1060	520	9	18	2
MBS10 635	1000	600	350	315	1310	341.5	326.5	925	525	890	490	930	530	1260	520	9	18	2
MBS10 835	1000	800	350	315	1310	341.5	326.5	925	725	890	690	930	730	1260	720	9	18	2

\* = Stocked

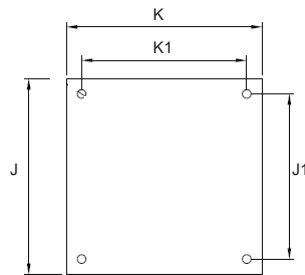
## Diagram



Front Door Removed



Side



Mounting Plate



**NEPEAN**  
Power

www.nepeanpower.com

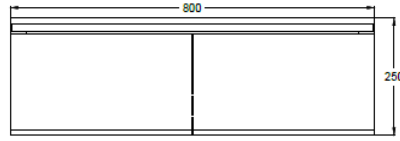
For more information please contact:

P: +61 2 4088 2790

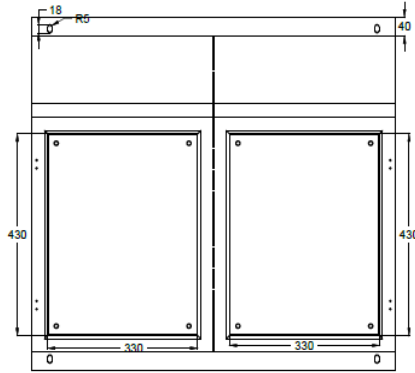
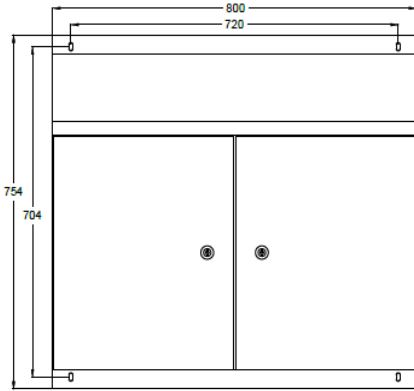
E: [power@nepean.com](mailto:power@nepean.com)

# Sloped Roof MBSD Series

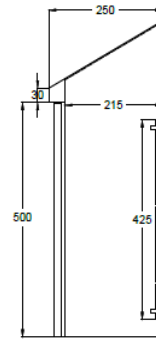
Diagram



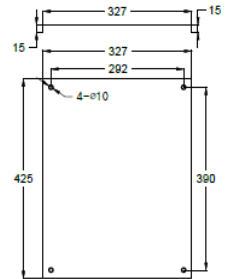
BOTTOM



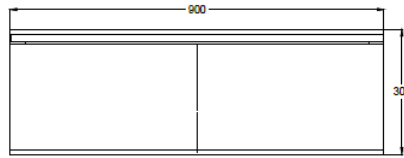
FRONT DOOR REMOVED  
MBSD5 825



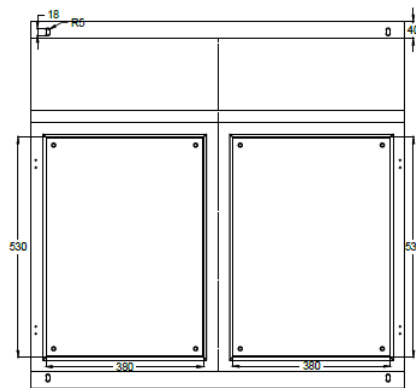
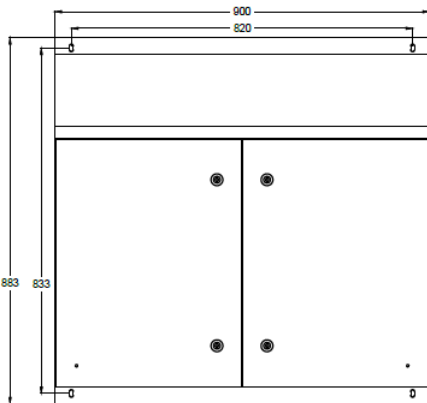
SIDE



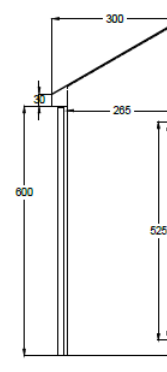
MOUNTING PLATE



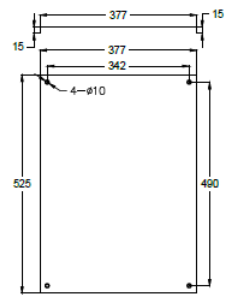
BOTTOM



FRONT DOOR REMOVED

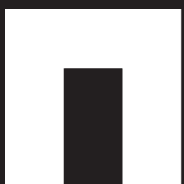


SIDE



MOUNTING PLATE

MBSD6 930



**NEPEAN**  
Power

www.nepeanpower.com

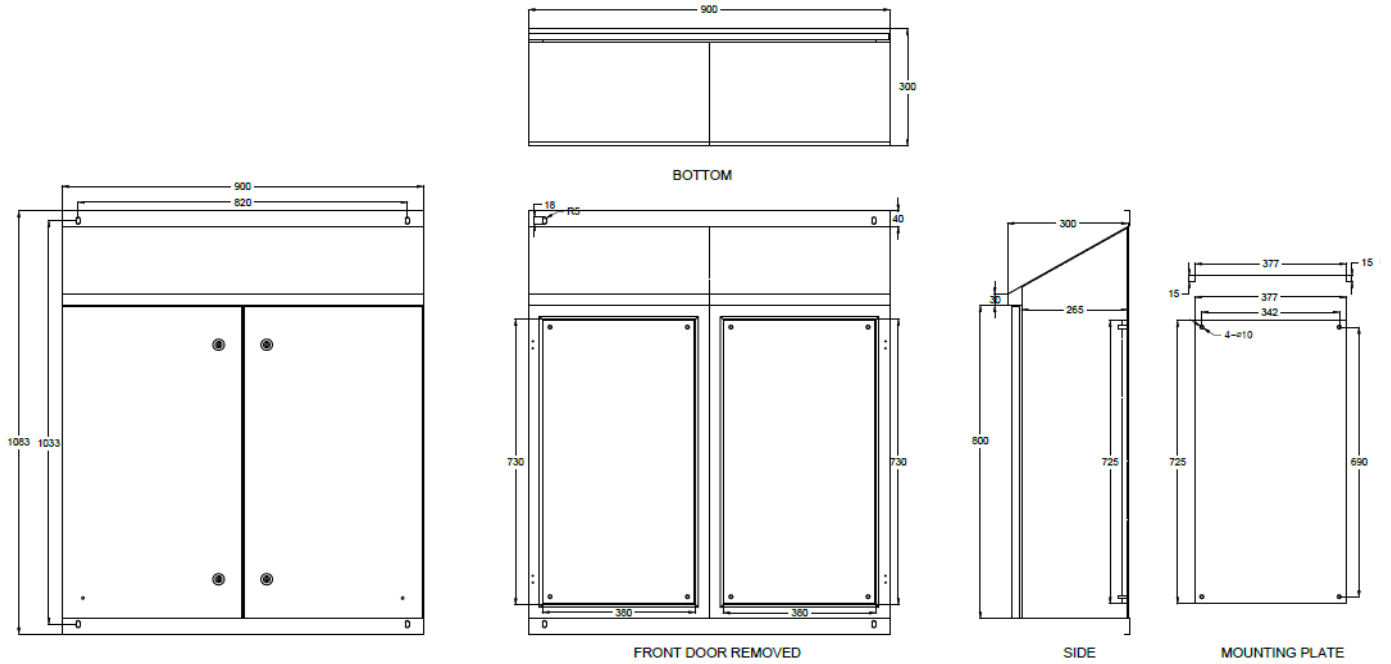
For more information please contact:

P: +61 2 4088 2790

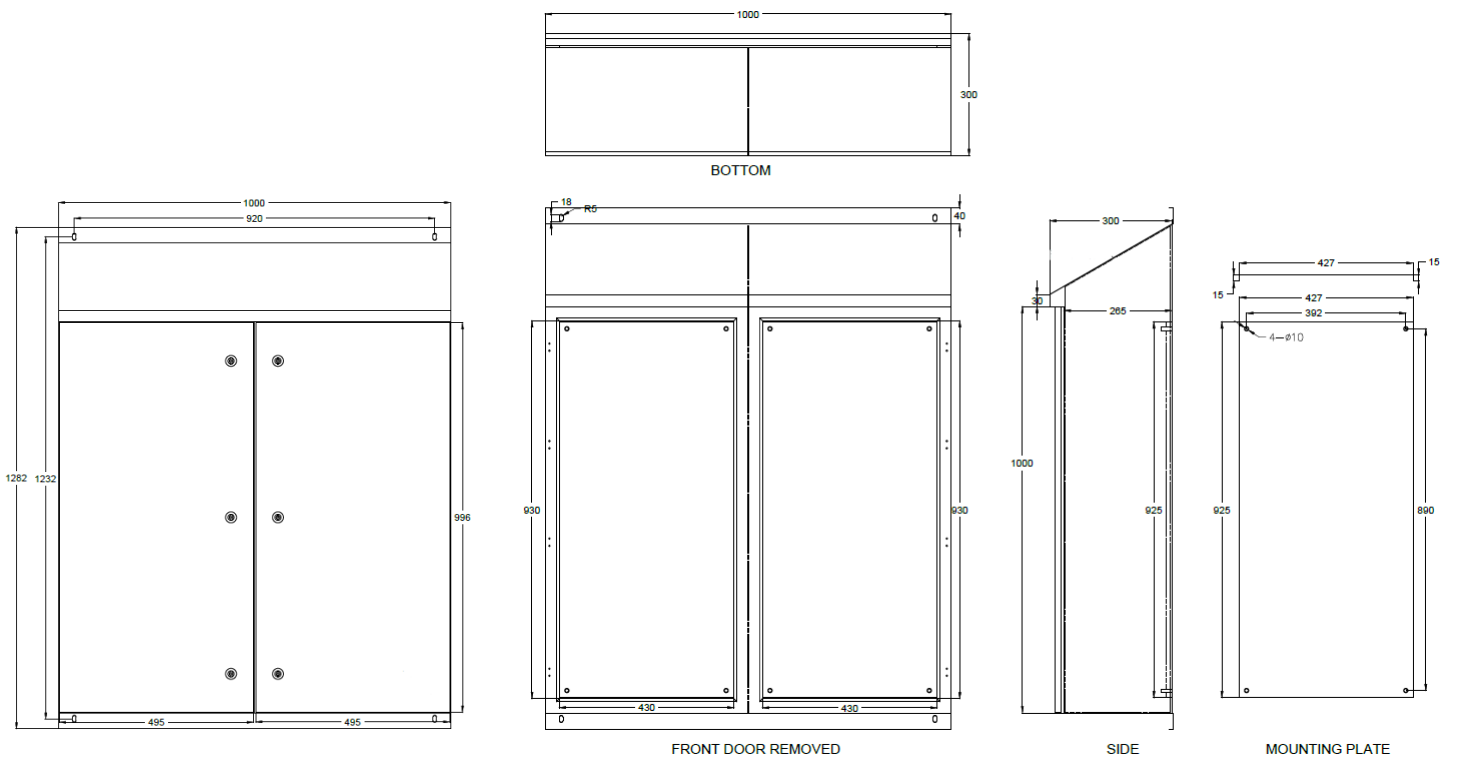
E: [power@nepean.com](mailto:power@nepean.com)

# Sloped Roof MBSD Series

Diagram



MBSD8 930



MBSD10 1030



**NEPEAN**  
Power

www.nepeanpower.com

For more information please contact:

P: +61 2 4088 2790

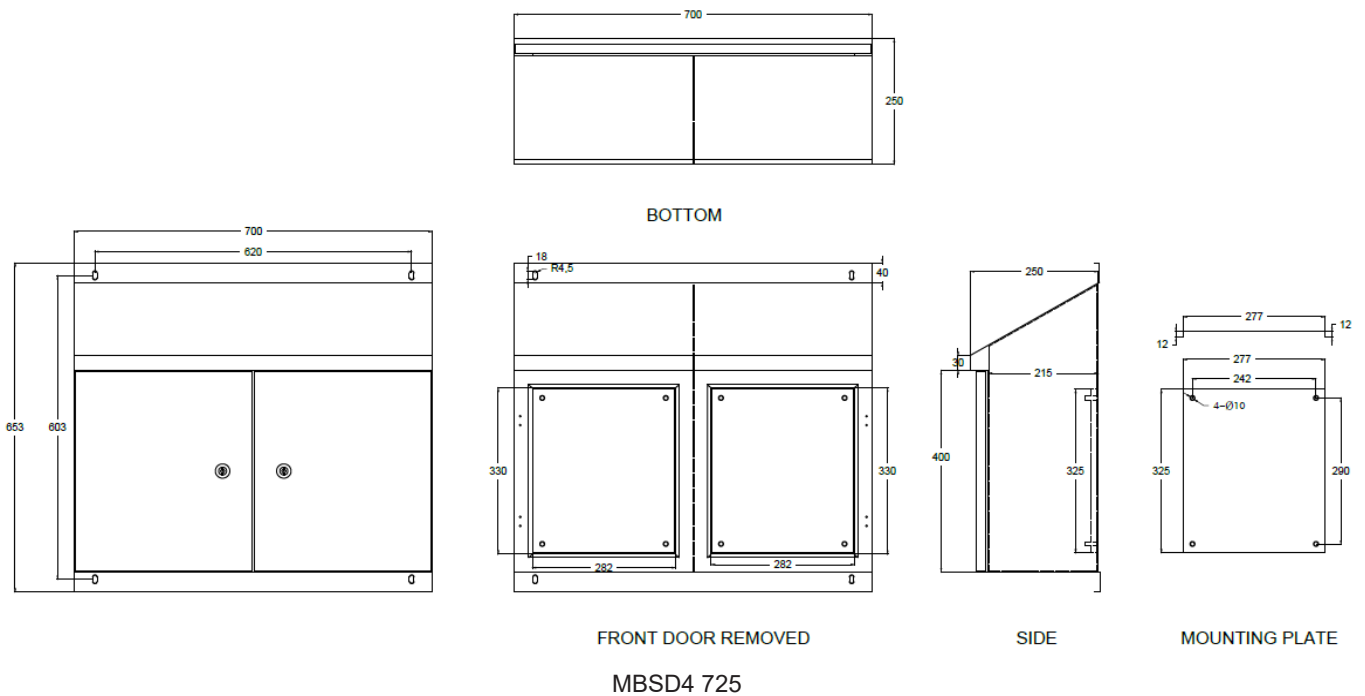
E: power@nepean.com

# Sloped Roof MBSD Series

## Part Numbers

Part Number	Height	Width	Length
MBSD4 725	400	700	250
MBSD5 825	500	800	250
MBSD6 930	600	900	300
MBSD8 930	800	900	300
MBSD10 1030	1000	1000	300

## Diagram



**NEPEAN**  
Power

www.nepeanpower.com

For more information please contact:

P: +61 2 4088 2790

E: [power@nepean.com](mailto:power@nepean.com)