

NEPEAN
Power

1kV Phase Indicator



Cable Mount Indicator



External Display for X0348



3 Phase Din Indicator

AVAILABLE FROM
NEPEAN ELECTRONICS

SELF POWERED VOLTAGE DETECTION FOR 1000V AND 415V SYSTEMS

NEPEAN Power is a proven leader in the supply and manufacture of quality engineered solutions, products and technologies. Established in 1994, through the commitment of our dedicated team we have become a supplier of choice.

X0347 (Cable Mount) Features

- The X0347 Phase Indicator works by connecting directly between each phase terminal and earth and has an operating voltage from 300V up to 1500V (phase to earth)
- Two red LEDs on the unit itself indicate the presence of voltage
- Suitable for high frequency applications
- Connection to phase via flying lead – approx. 1m in length
- There is also a terminal available for connecting an external LED indicator
- Designed to be cable tied around a conductor it can also be mounted using screw terminals – **NOTE:** one terminal cannot be tightened due to connector Earth & External LED connector
- Physical dimensions: 42 x 42 x 42mm (excluding the mounting tabs)
- Suitable for high frequency applications



X0348 (Panel Mount) Features

- Six red LEDs on the unit itself indicate the presence of voltage
- Physical dimensions: 70 x 35 x 33mm
- Cutout dimensions: 55 x 32mm
- Mounting hole dimensions: $\phi 3.4\text{mm} \times 2$ (distance 64mm)
- Suitable for operation in temperatures between -25°C and 55°C

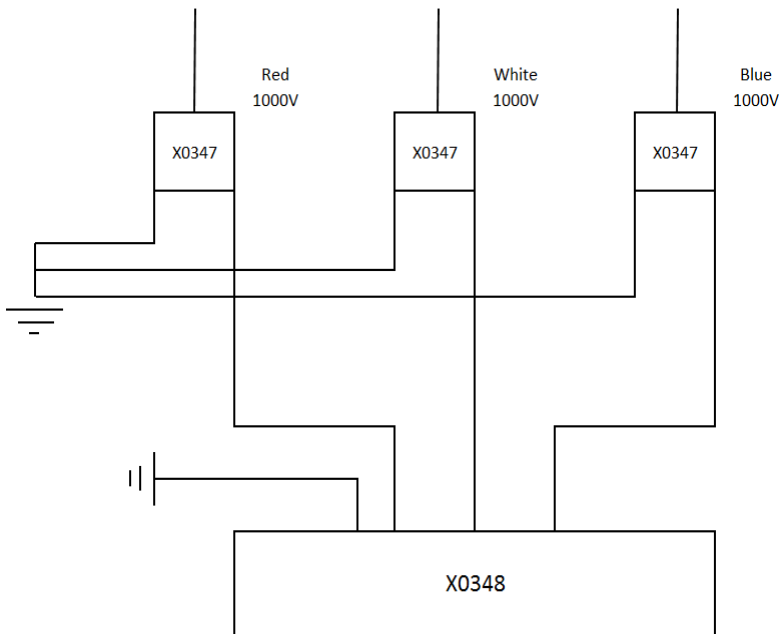


* All included in X0349

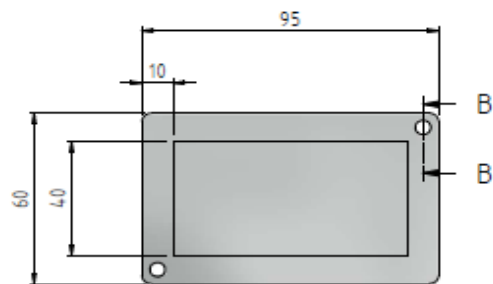
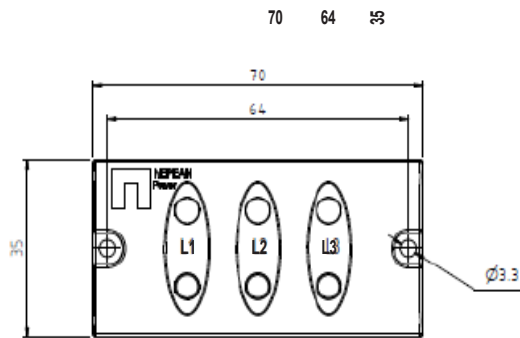
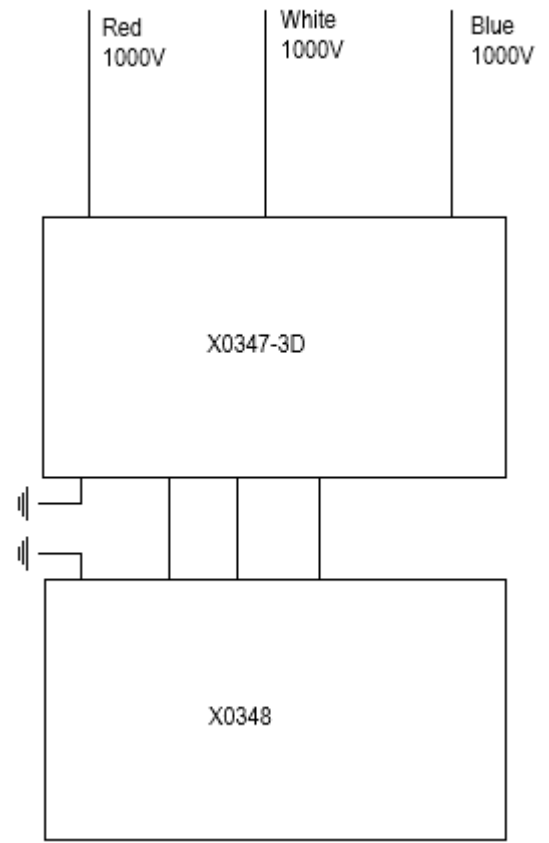


1kV Phase Indicator

Wiring Diagram - Cable Mount

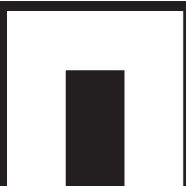


Wiring Diagram - Din Mount



Ordering Information

Part Number	Description
X0347	1kV Cable Mount Indicator (1 per phase required)
X0347-3D	1kV 3PH Din Mount Indication
X0348	External Display for X0347
X0349	Kit Item. 3 x Phase Indicators (X0347), 1 x External Display (X0348), 1 x Cover (X0452-C)
X0452-C	IP56 Cover to suit X0452 + X0348 Phase Indicator



NEPEAN
Power

www.nepeanpower.com

For more information please contact:

P: +61 2 4088 2790

E: power@nepean.com