

1000V Vacuum Contactor

AVAILABLE FROM
NEPEAN ELECTRONICS



NEPEAN Power is a proven leader in the supply and manufacture of quality engineered solutions, products and technologies. Established in 1994, through the commitment of our dedicated team we have become a supplier of choice.

Medium voltage contactor (vacuum contactor) is suitable for power network AC 50Hz, the main circuit rated voltage 1140V, rated current up to 630A, for making, breaking, frequently starting, and controlling AC motor, also for forming magnetic starter with a variety of protection devices (JDB electronic integrated protector, JR9 type over current protection device, resistance capacitance absorber), especially for mining application. The contactor conforms to IEC 60947-4-1, GB/T 14048.4 and JB/T7122 standard, the main performance indicators have reached the international level.

Specifications

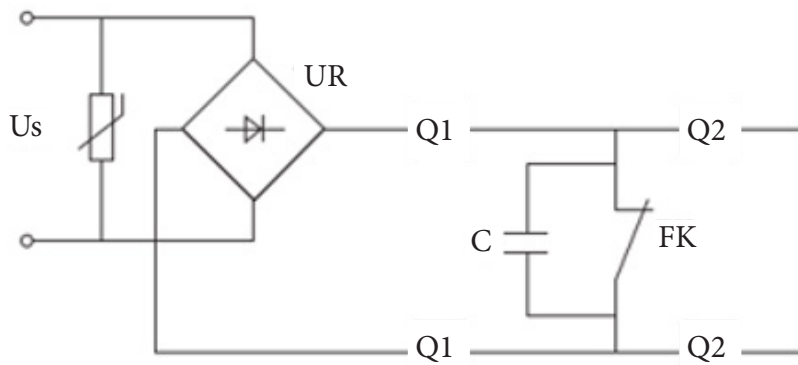
	250A	400A	630A
Main circuit rated voltage (V)		1140	
Main circuit rated current (A) @AC1	250	400	630
Main circuit rated current (A) @AC3	110	200	290
Main circuit making capability (A/100 times)	2500	4000	6300
Main circuit breaking capability (A/100 times)	2000	3200	5040
Main circuit power frequency withstand voltage (kV)		10	
Electrical life AC3 (ten-thousand times)		60	
Electrical life AC4 (ten-thousand times)		6	
Mechanical life (ten-thousand times)		100	
Rated operation frequency AC3 (time/h)		600	
Rated operation frequency AC4 (time/h)		120	
Short time operation frequency (time/h, 20s)		2000	
Opening distance between contact (mm)	2.0 ± 0.1	2.0 ± 0.1	2.1 ± 0.1
Over travel (mm)	1.0 ± 0.1	1.0 ± 0.1	1.0 ± 0.1
Control circuit power frequency withstand Voltage (kV)		2	
Closing time (ms)		< 100	
Opening time (ms)		< 80	

Ordering Information

Part Number	Description
VACJ5-250-1	250Amp contactor 110VAC Coil
VACJ5-250-2	250Amp contactor 24VAC Coil
VACJ5-400-1	400Amp contactor 110VAC Coil
VACJ5-400-2	400Amp contactor 24VAC Coil
VACJ5-630-1	630Amp contactor 110VAC Coil
VACJ5-630-2	630Amp contactor 24VAC Coil
VACJ5-1000-1	1000Amp contactor 110VAC Coil
VACJ5-1250-1	1250Amp contactor 110VAC Coil

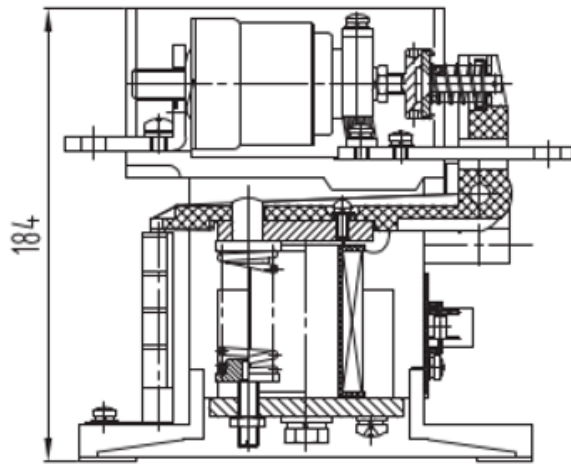
1000V Vacuum Contactor

Wiring Drawing

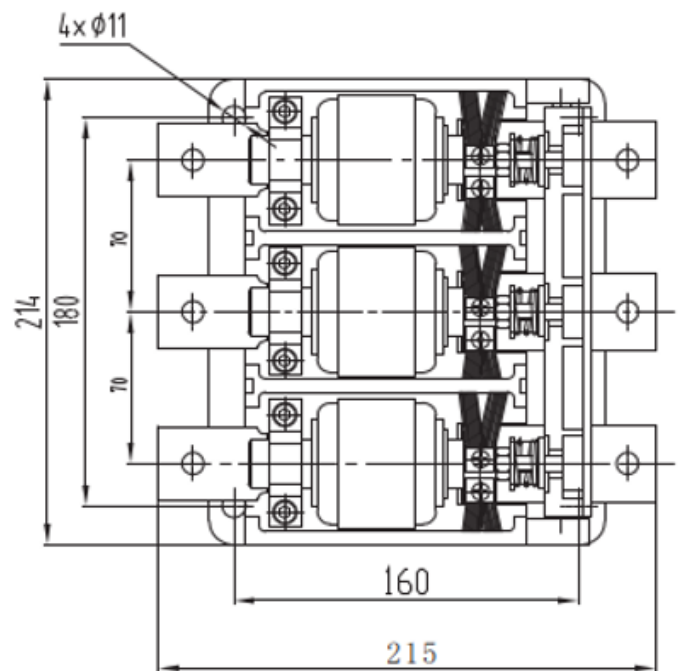
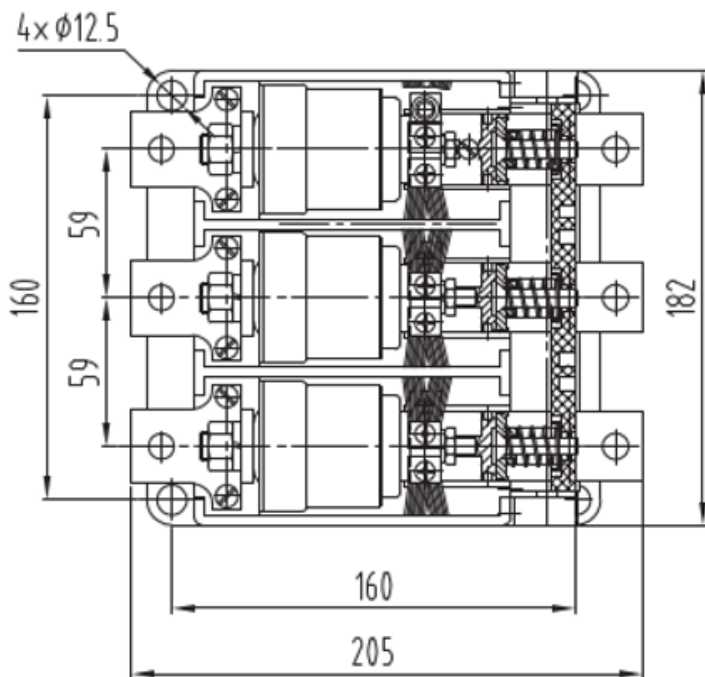
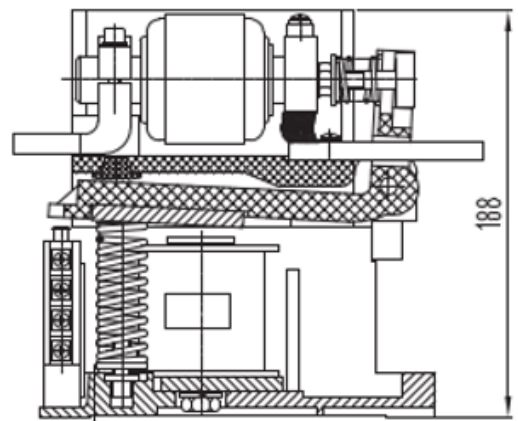


- Us Control power supply
- UR Rectifier bridge
- Q1 Starting coil
- Q2 Keeping coil
- C Capacitor
- FK Auxiliary switch

VACJ5-250/1000V installing dimensions



VACJ5-400/1000V installing dimensions



NEPEAN
Power

www.nepeanpower.com

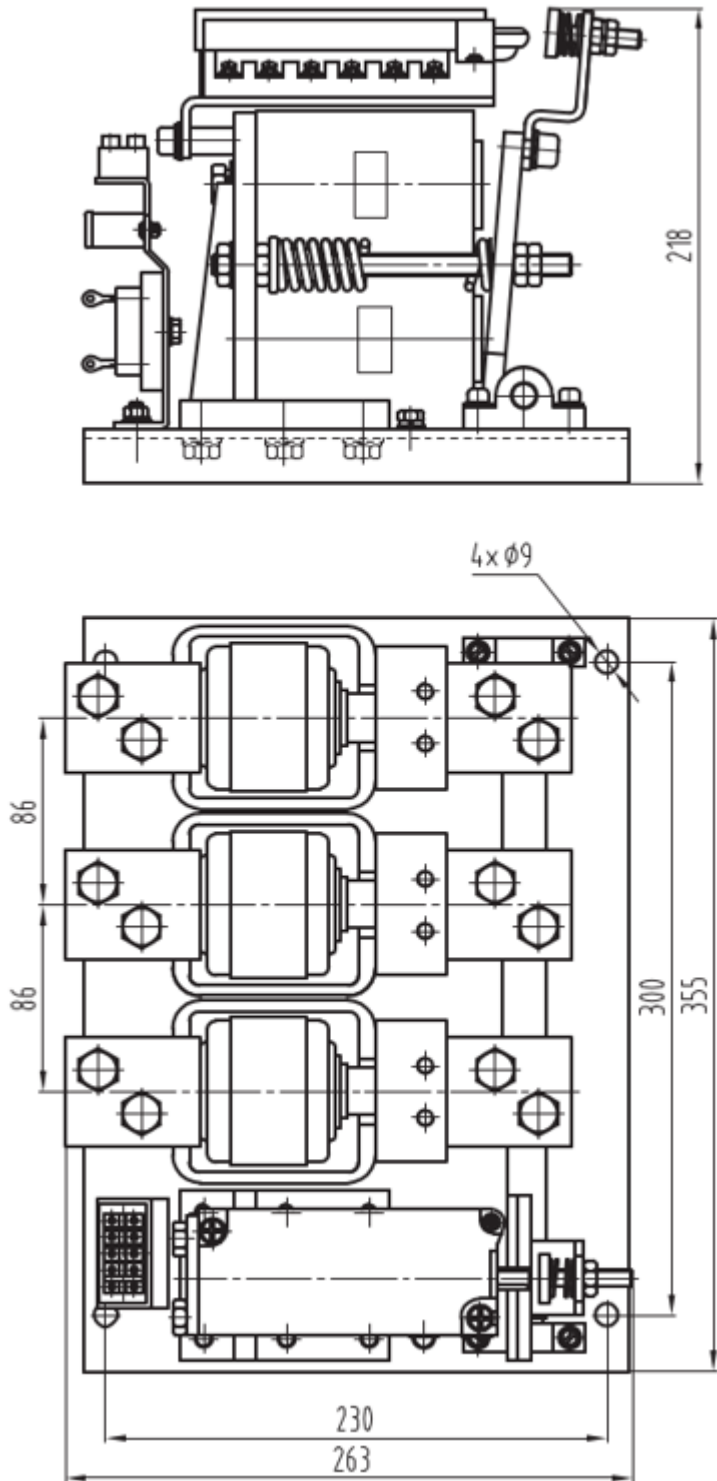
For more information please contact:

P: +61 2 4088 2790

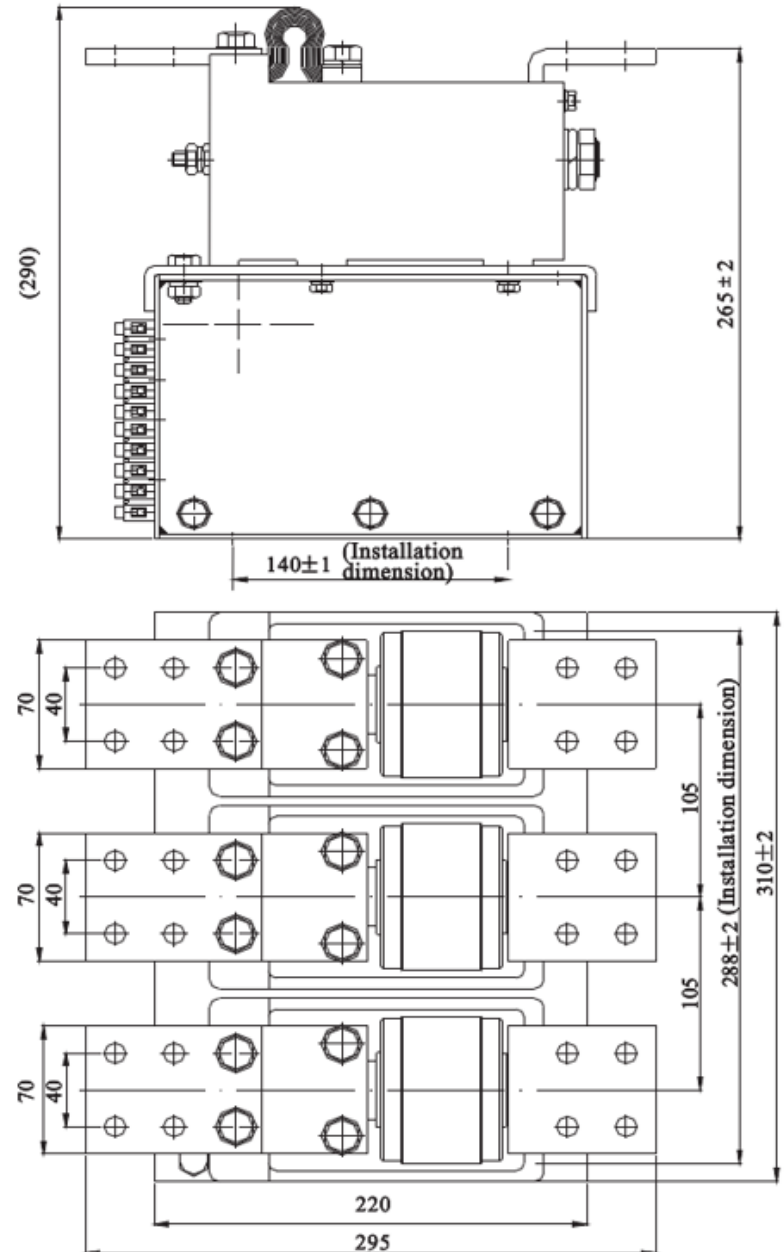
E: power@nepean.com

1000V Vacuum Contactor

VACJ5-630/1140V installing dimensions



VACJ5-1000/(1250) 1140V installing dimensions



NEPEAN
Power

www.nepeanpower.com

For more information please contact:

P: +61 2 4088 2790

E: power@nepean.com