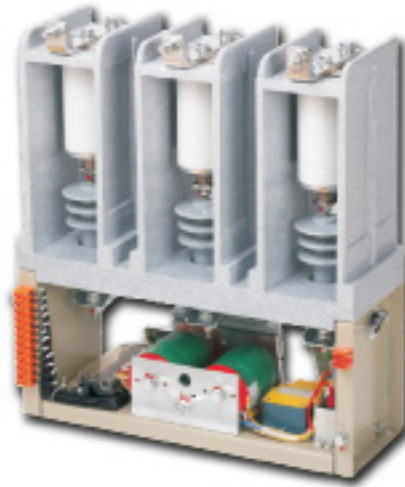


12kV Vacuum Contactor

AVAILABLE FROM
NEPEAN ELECTRONICS



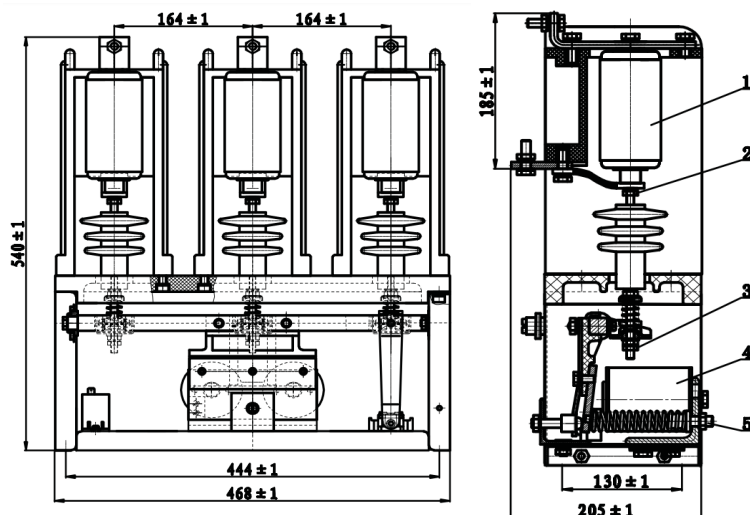
NEPEAN Power is a proven leader in the supply and manufacture of quality engineered solutions, products and technologies. Established in 1994, through the commitment of our dedicated team we have become a supplier of choice.

The NEPEAN Power 12kV Vacuum Contactor is suitable for high voltage applications allowing remote making and breaking, frequently starting and controlling AC motors. This design also allows matching with fuses and a variety of protection devices to replace a vacuum circuit breaker.

NEPEAN Advantage

- Stocked locally
- Electrically retained or latching
- Multiple Configuration options
- IEC Type tested
- Rated for capacitor switching
- Complies with GB/T14808, IEC60470 and JB/T7122 standards.

Dimensions



Technical Specifications

Rated Voltage	12kV
Rated Current	250A
Rated Frequency	50Hz
Making Capacity	2500A/100 times
Breaking Capacity	2000A/25 times
Rated PF Withstand Voltage	42kV
Mechanical Life Time	100000 operations
Rated Operating Frequency	300 operations/hour
Short-Time Operating Frequency (20s)	1000 operations/hour
Mechanical Lock Operation Frequency	120 operations/hour
Opening Distance between Contacts	6mm ± 0.5mm
Over Travel	1.8mm ± 0.2mm
Closing Time	< 80ms
Opening Time	< 40ms
Main Circuit Resistance	< 200μΩ
Tri-Phase Asynchronous Time	< 2ms

Ordering Information

Part Number	Description
VCKG3-250A/12kV	250A 12kV Vacuum Contactor