



## Custom LED Pack

The Nepean Custom LED packs are a versatile and customizable solution designed to meet your unique indication needs. This LED pack is perfect for a wide range of indication applications in DCBs, Pump Starters and Substations etc. providing a quick visual tool displaying the status of any asset.



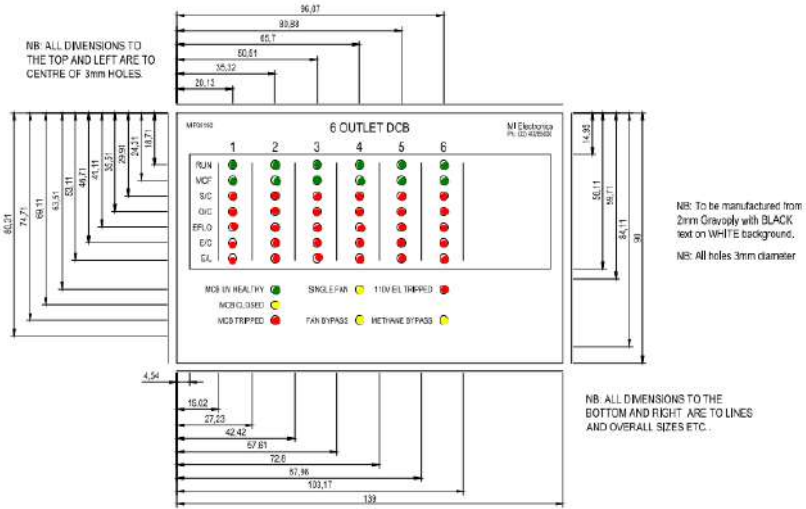
- Custom supply voltage 24V, 32V, 48V, 110V AC/DC
- Ambient temperature DO NOT exceed 40°C, and the average temperature, measured over a period of 24 hours, DO NOT exceed 35°C
- Ambient temperature should not be below -25°C
- Should not be installed above 2000m above sea level

Part Number	Description
X0212	LED PACK METER CASE STYLE 96 x 48 - SINGLE COLUMN OF LED'S
X0041	LED PACK METER CASE STYLE 96 x 96 - MAXIMUM 2 COLUMN OF LED'S
X0046	LED PACK METER CASE STYLE 140 x 90 - MAXIMUM 8 COLUMN OF LED'S

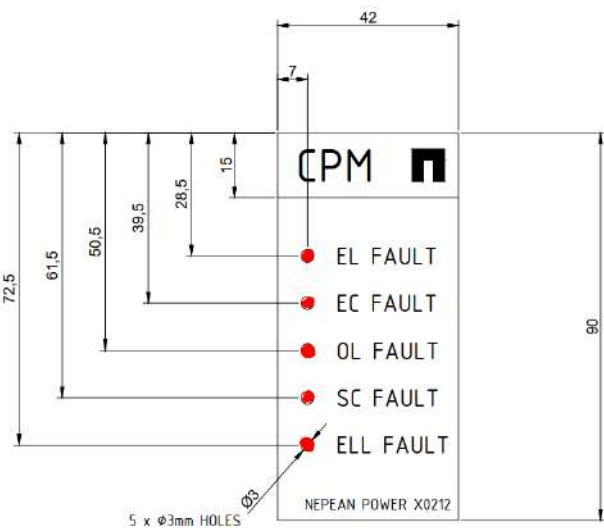
### Ordering Information

Part Number	Dimensions (mm)	Number of Columns	LED's Per Columns	Part Cut Out
X0212	96 x 48	1	1 - 12	92 x 45
X0041	96 x 96	1 or 2	1 - 12	92 x 92
X0046	96 x 144	1 - 8	1 - 12	92 x 138

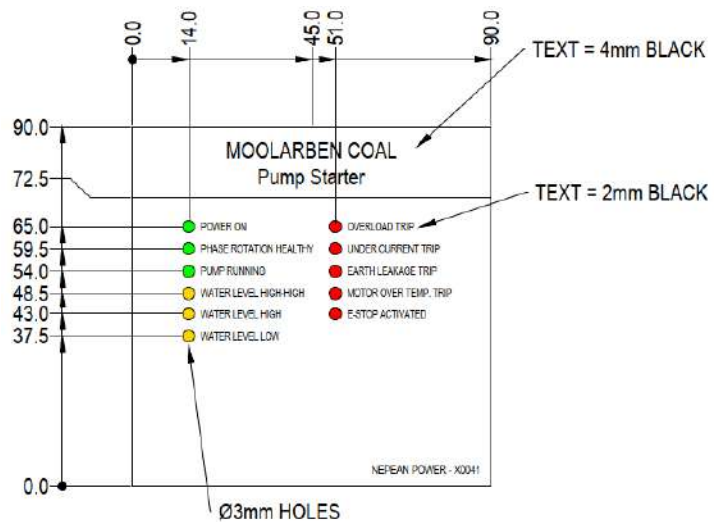
# Custom LED Pack



**X0046**

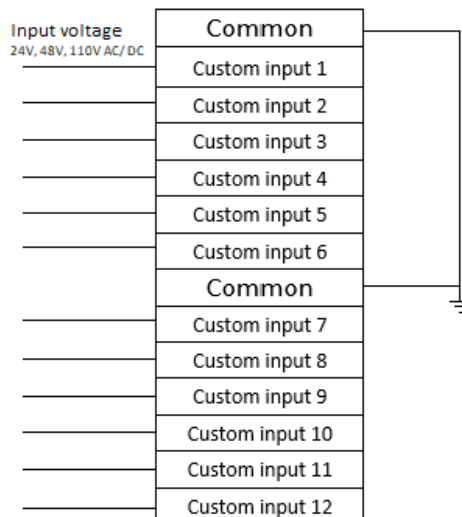


**X0212**



MATERIAL = WHITE - BLACK TRAFOLITE

**X0041**



Typical wiring configuration per row ("common" terminals are not connected internally)